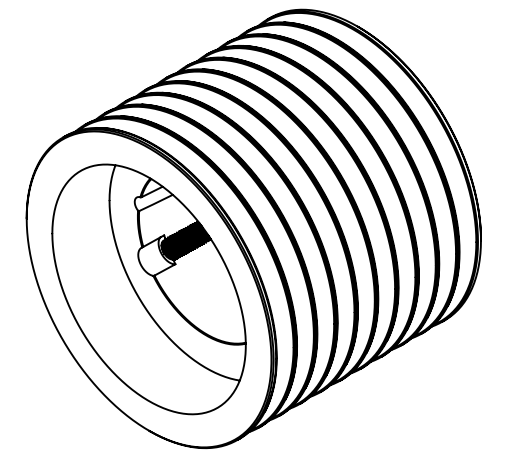
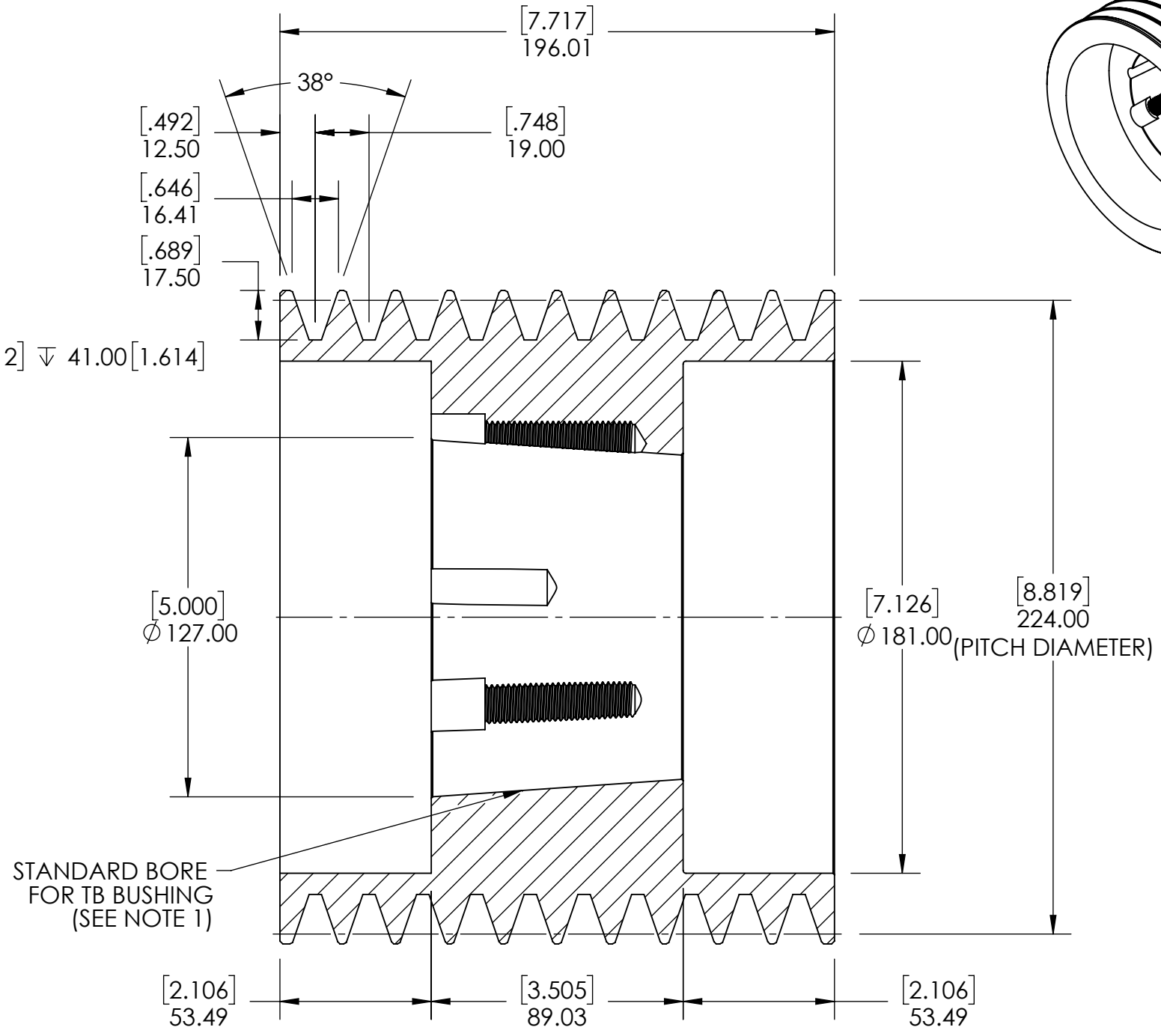
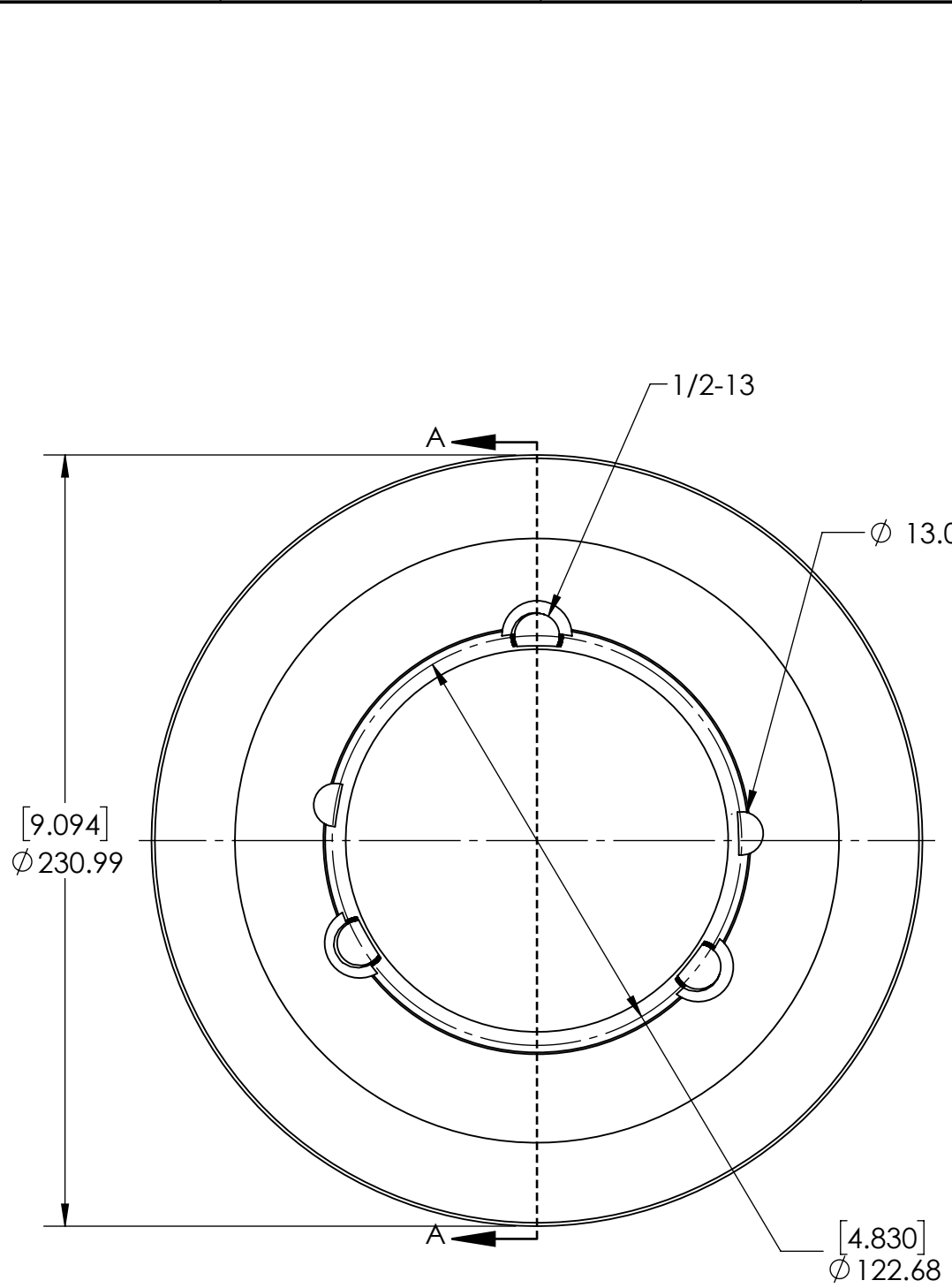


9 8 7 6 5 4 3 2 1

G
F
E
D
C
B
A

G
F
E
D
C
B
A



SECTION A-A

NOTES:
1. TB BUSHING SIZE: 3535
2. UNITS: mm[INCHES].

| | | | | | | | |
|---|---|------------------------|----------------|-------------------|------|----|----------------------|
| SOLVE INDUSTRIAL MOTION GROUP | | WEIGHT | 22.82 KG | | | | |
| | | MATERIAL | CAST IRON | | | | |
| | | COATING | GREY PAINT | | | | |
| | | DRAWN | MTC | 09/02/2025 | | | |
| | | CHECKED | PT | 09/03/2025 | | | |
| | | APPROVED | | | DATE | BY | REVISION DESCRIPTION |
| SIZE | PTI | THIRD ANGLE PROJECTION | | ITEM DESCRIPTION: | | | REV |
| DWG. NO. | PROPRIETARY AND CONFIDENTIAL <small>THE INFORMATION CONTAINED IN THIS DRAWING IS THE SOLE PROPERTY OF SOLVE IMG. ANY REPRODUCTION IN PART OR AS A WHOLE WITHOUT THE WRITTEN PERMISSION OF SOLVE IMG IS PROHIBITED.</small> | | SPB224X10-3535 | | | | SCALE |
| | | | | | | | 1:2 |
| | | | | | | | REV |
| | | | | | | | - |

9 8 7 6 5 4 3 2 1