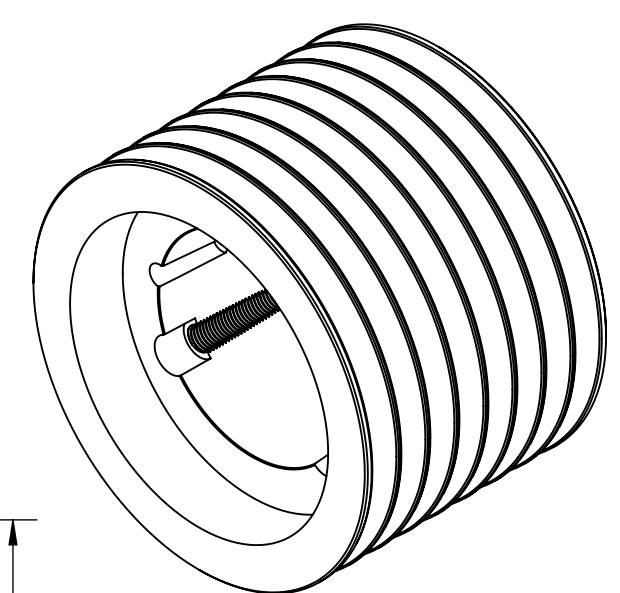
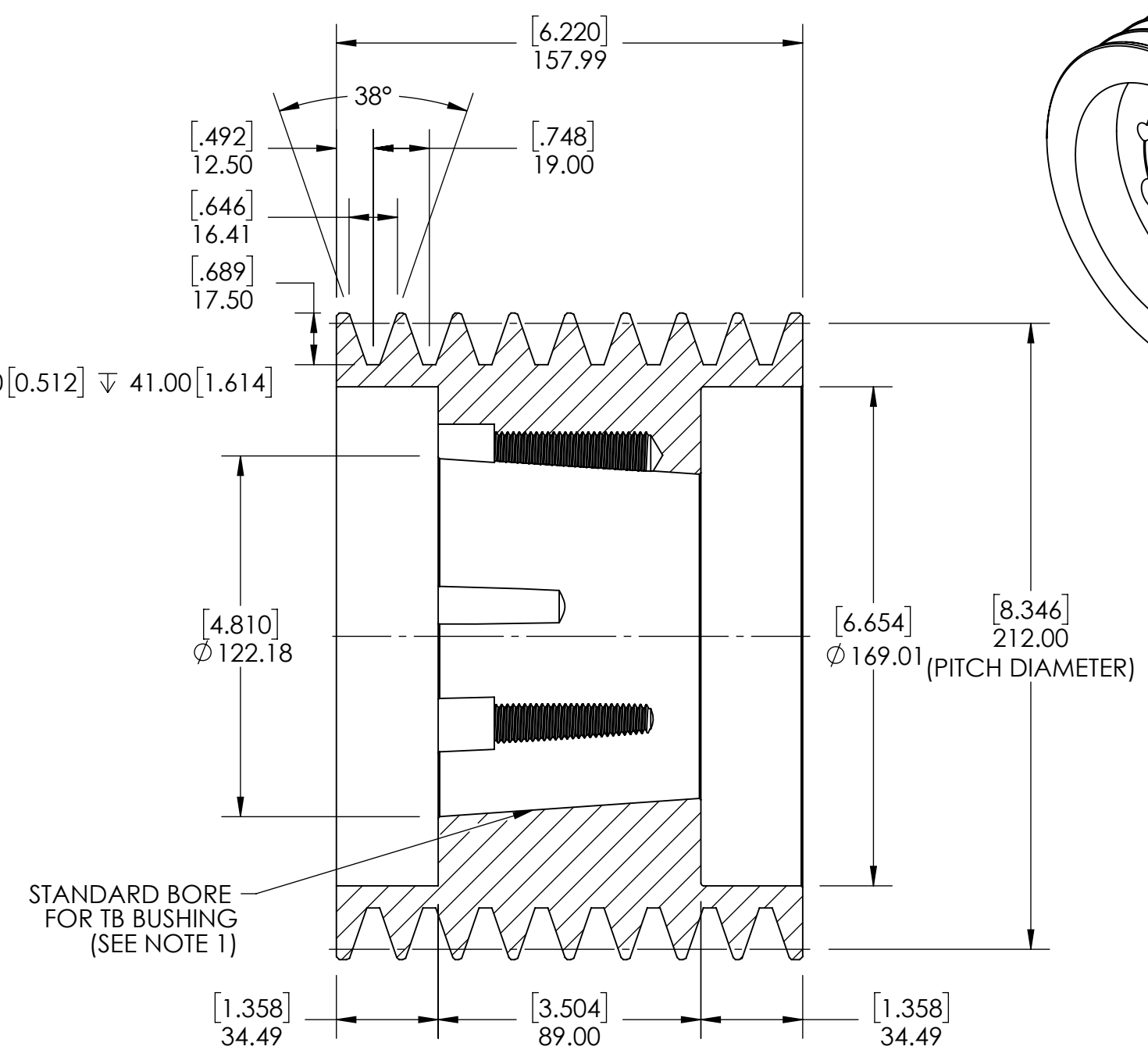
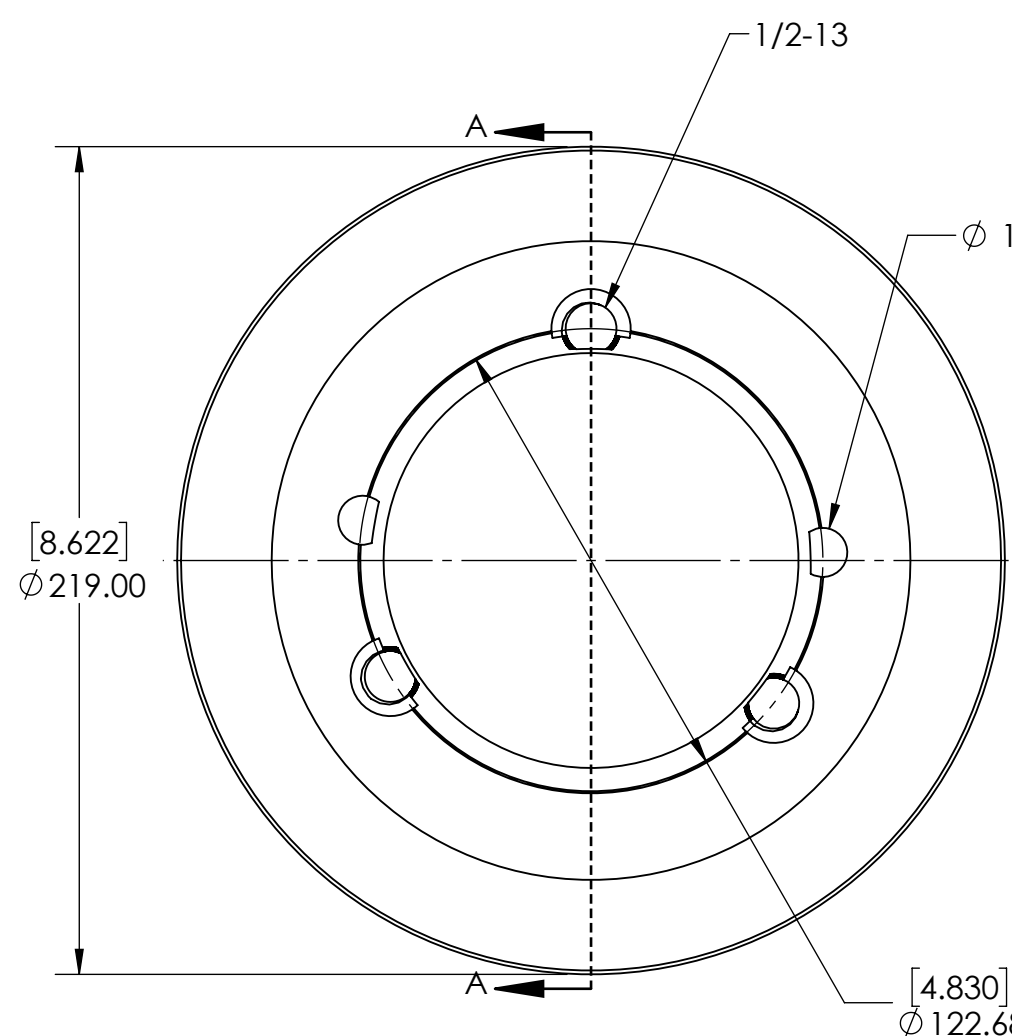


9 8 7 6 5 4 3 2 1

G F E D C B A



SECTION A-A

NOTES:  
 1. TB BUSHING SIZE: 3535  
 2. UNITS: mm[INCHES].

		WEIGHT	17.88 KG				
		MATERIAL	CAST IRON				
		COATING	GREY PAINT				
		DRAWN	MTC 09/02/2025				
SIZE		CHECKED	PT 09/03/2025				
B		APPROVED		DATE	BY	REVISION DESCRIPTION	REV
DWG. NO.				ITEM DESCRIPTION:		SPB212X8-3535	SCALE
		<small>PROPRIETARY AND CONFIDENTIAL                  THE INFORMATION CONTAINED IN THIS DRAWING IS THE SOLE PROPERTY OF SOLVE IMG. ANY REPRODUCTION IN PART OR AS A WHOLE WITHOUT THE WRITTEN PERMISSION OF SOLVE IMG IS PROHIBITED.</small>					1:2
							REV
							-

9 8 7 6 5 4 3 2 1

A