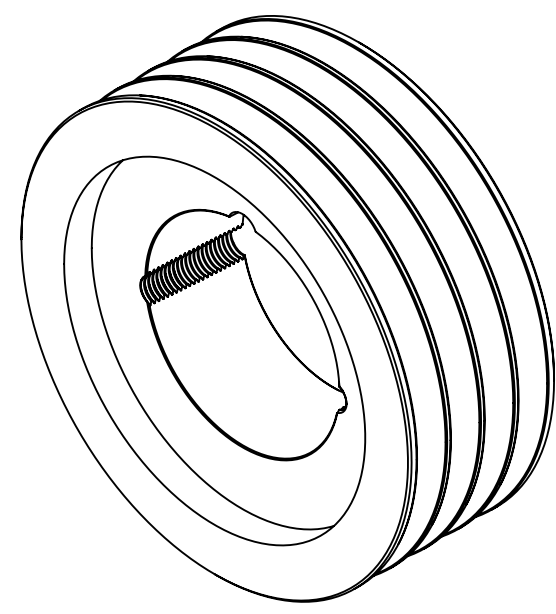
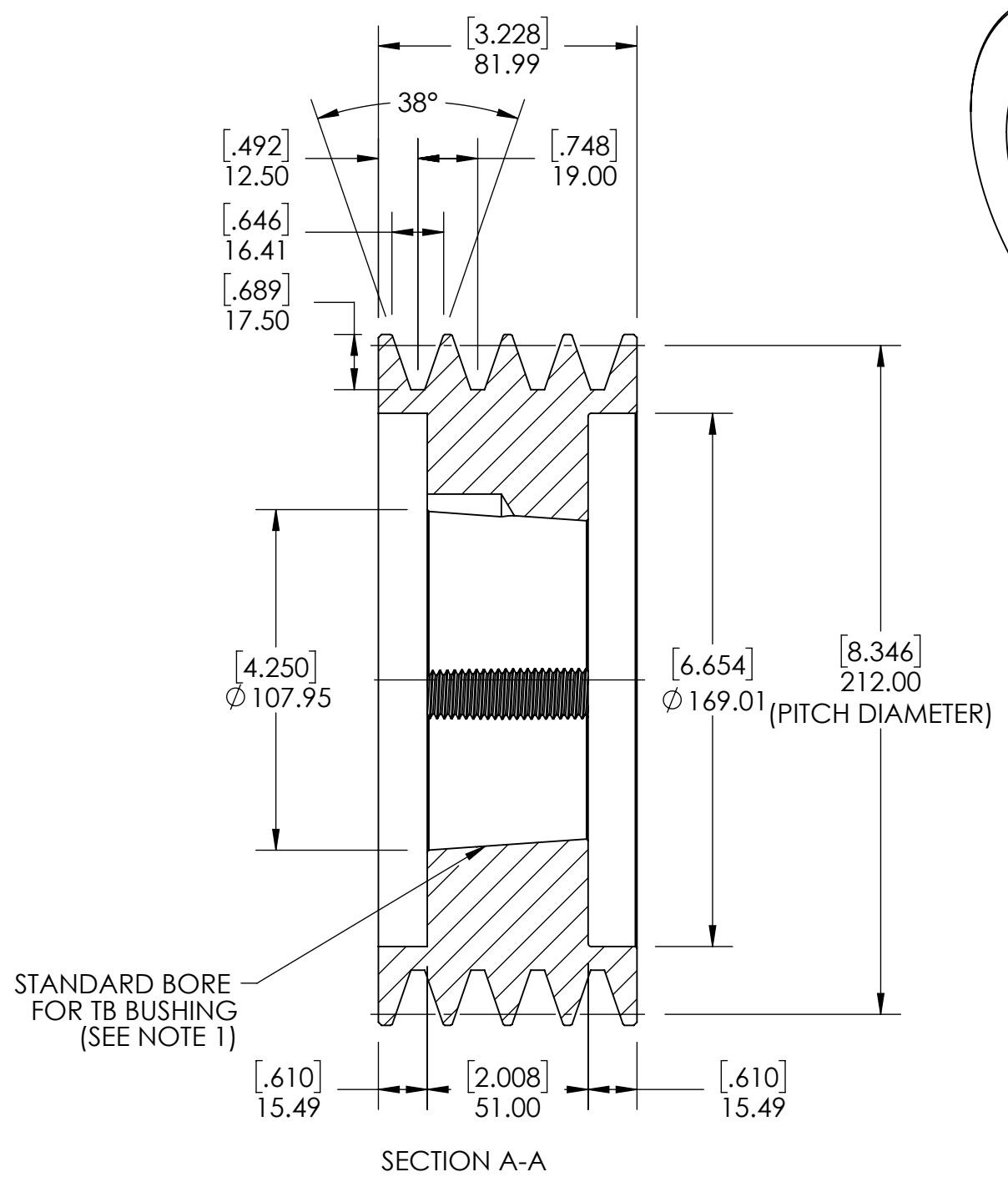
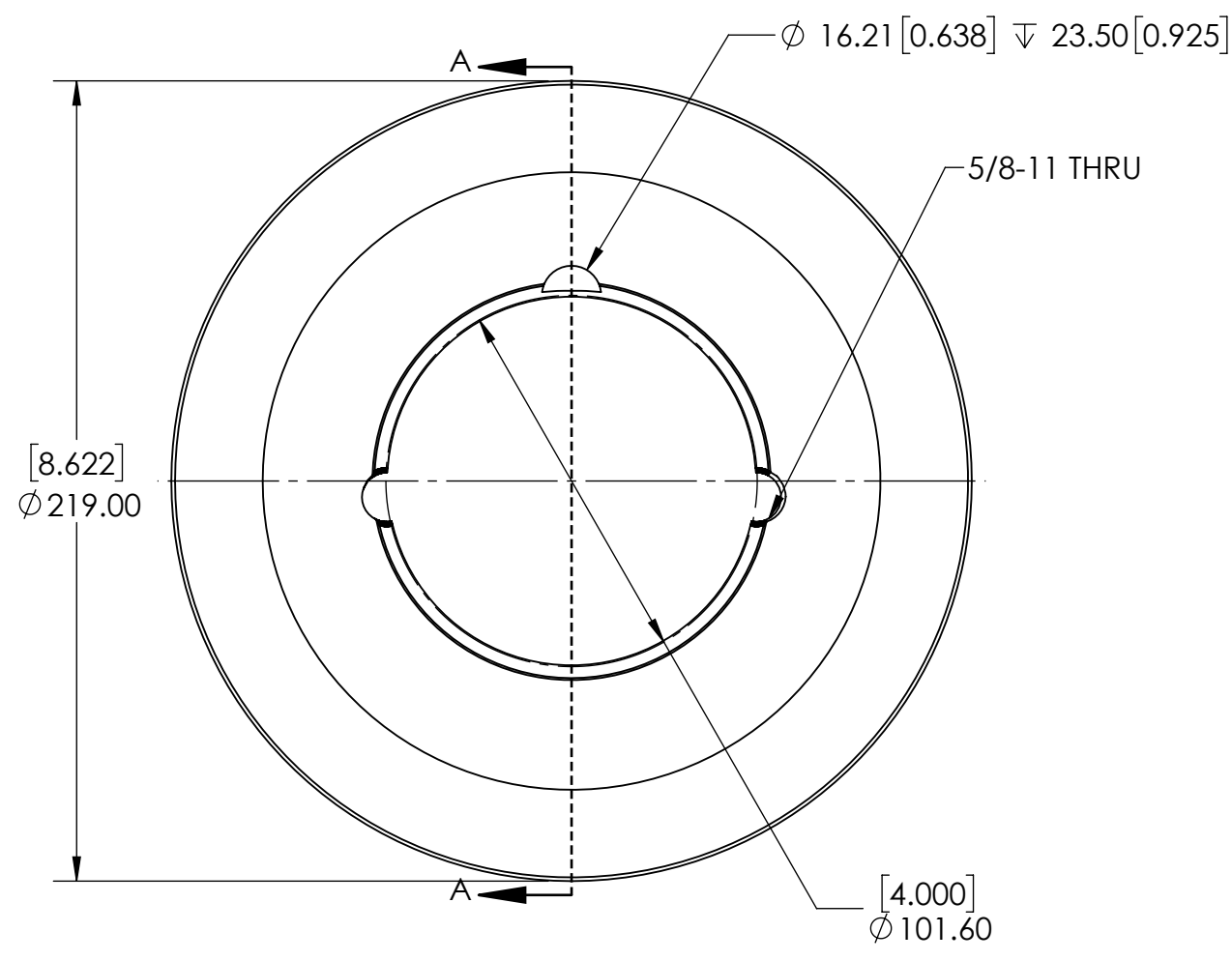


9 8 7 6 5 4 3 2 1

G
F
E
D
C
B
A

G
F
E
D
C
B
A



NOTES:
 1. TB BUSHING SIZE: 3020
 2. UNITS: mm[INCHES].

SOLVE INDUSTRIAL MOTION GROUP		WEIGHT	10.65 KG				
		MATERIAL	CAST IRON				
		COATING	GREY PAINT				
		DRAWN	MTC	09/02/2025			
		CHECKED	PT	09/08/2025			
		APPROVED			DATE	BY	REVISION DESCRIPTION
SIZE	B						
DWG. NO.		PROPRIETARY AND CONFIDENTIAL		ITEM DESCRIPTION:		REV	SCALE
		THE INFORMATION CONTAINED IN THIS DRAWING IS THE SOLE PROPERTY OF SOLVE IMG. ANY REPRODUCTION IN PART OR AS A WHOLE WITHOUT THE WRITTEN PERMISSION OF SOLVE IMG IS PROHIBITED.		SPB212X4-3020		1:2	
						-	

9 8 7 6 5 4 3 2 1