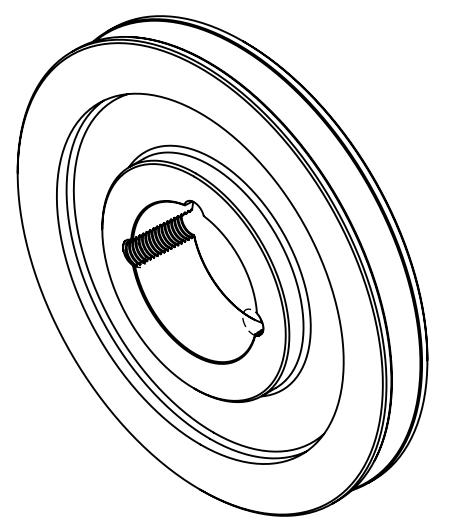
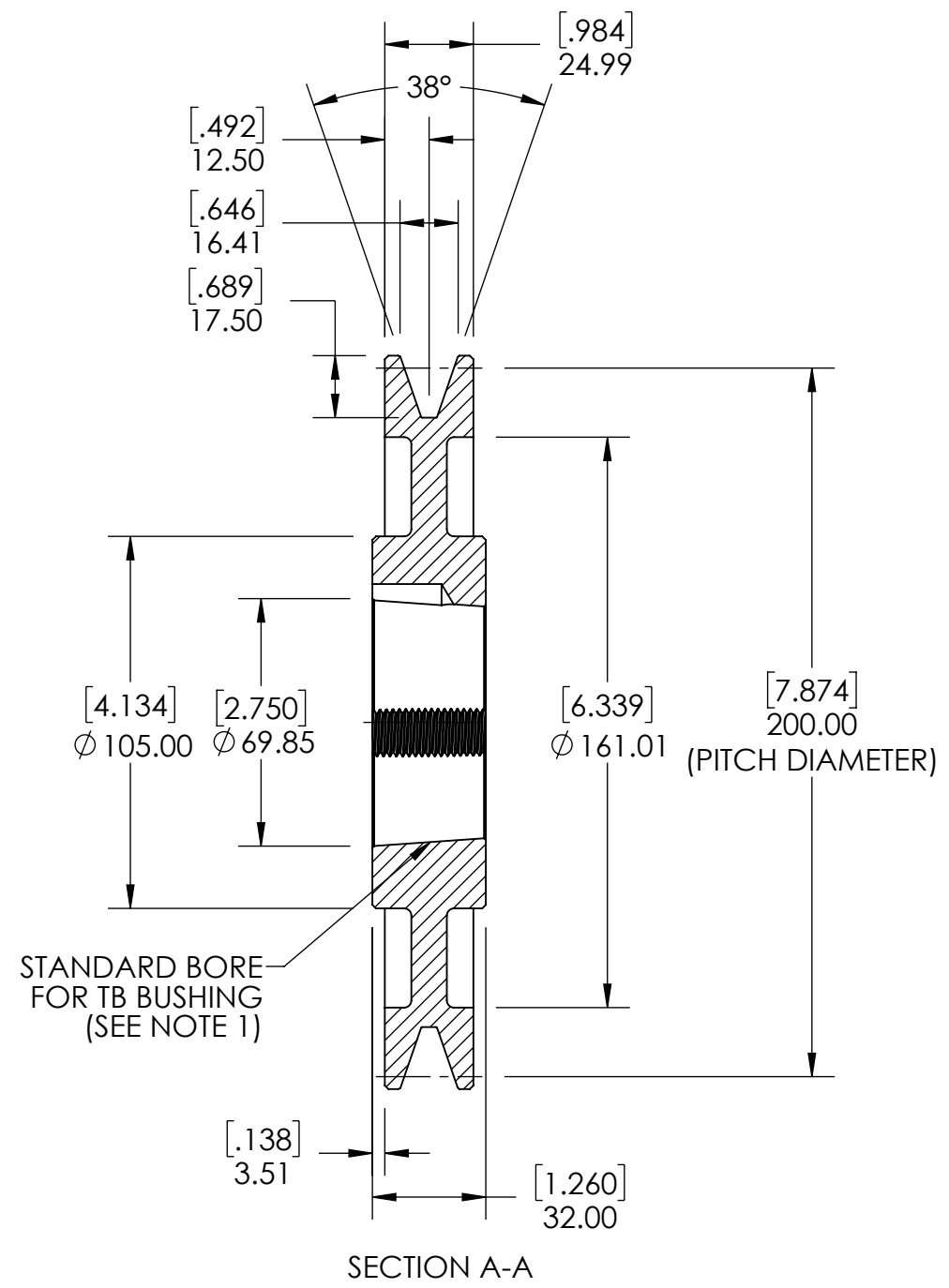
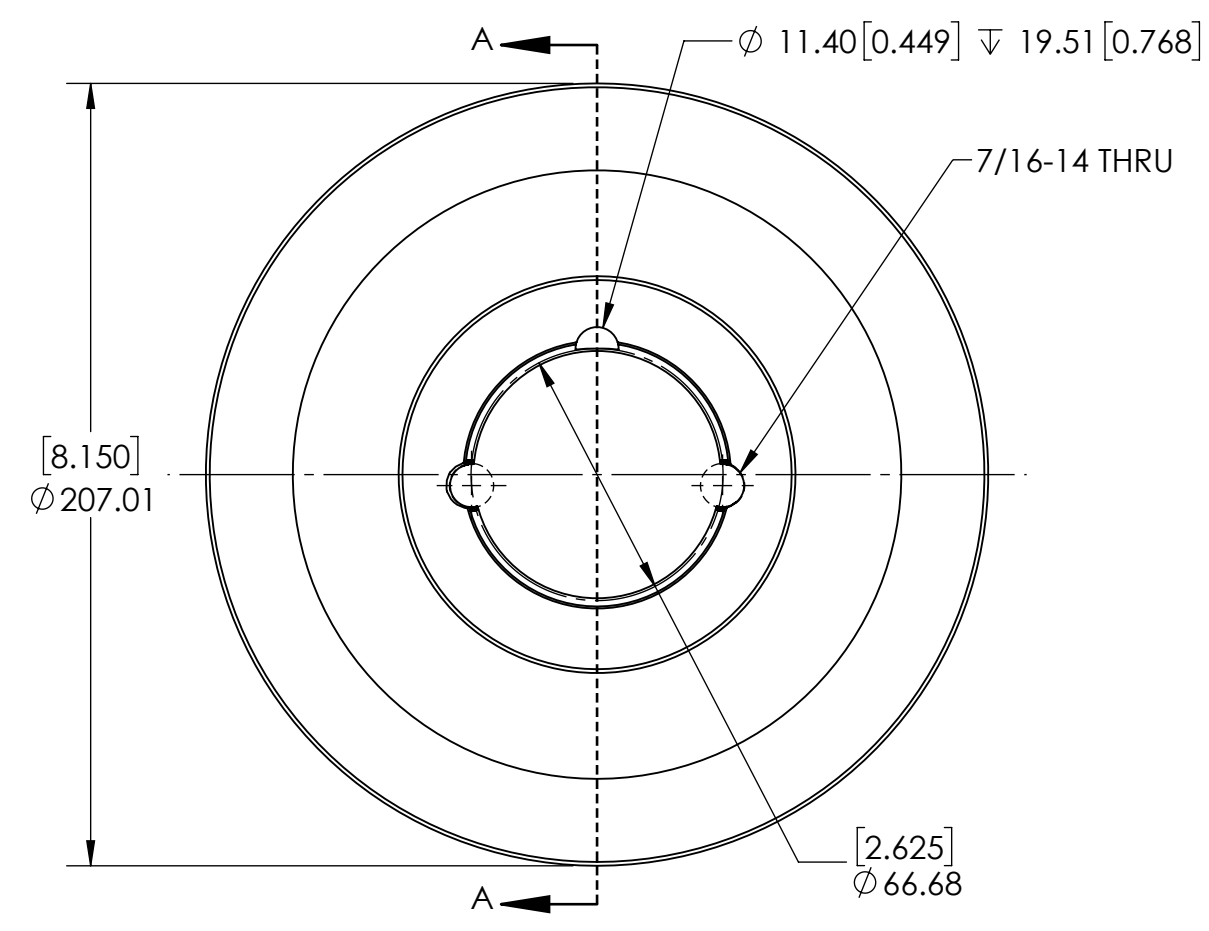


9 8 7 6 5 4 3 2 1

G F E D C B A



NOTES:  
 1. TB BUSHING SIZE: 2012  
 2. UNITS: mm [INCHES].

<b>SOLVE</b> INDUSTRIAL MOTION GROUP		WEIGHT	3.58 KG				
		MATERIAL	CAST IRON				
		COATING	GREY PAINT				
		DRAWN	MTC	09/02/2025			
		CHECKED	PT	09/08/2025			
		APPROVED			DATE	BY	REVISION DESCRIPTION
SIZE	<b>B</b>	PTI		ITEM DESCRIPTION:			REV
DWG. NO.		PROPRIETARY AND CONFIDENTIAL THE INFORMATION CONTAINED IN THIS DRAWING IS THE SOLE PROPERTY OF SOLVE IMG. ANY REPRODUCTION IN PART OR AS A WHOLE WITHOUT THE WRITTEN PERMISSION OF SOLVE IMG IS PROHIBITED.		SPB200X1-2012			SCALE
							1:2
							REV
							-

9 8 7 6 5 4 3 2 1

A