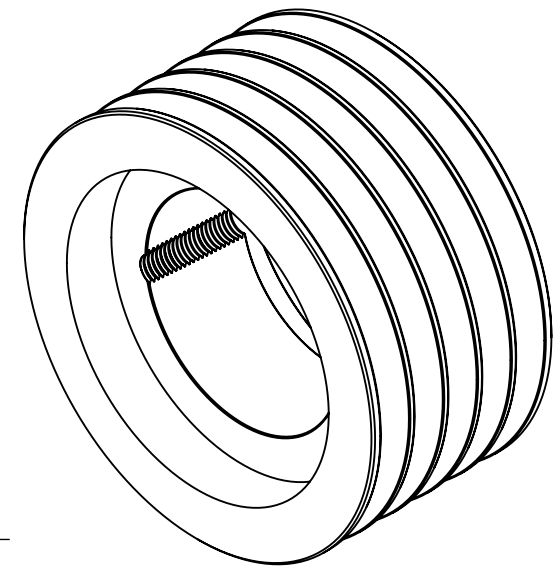
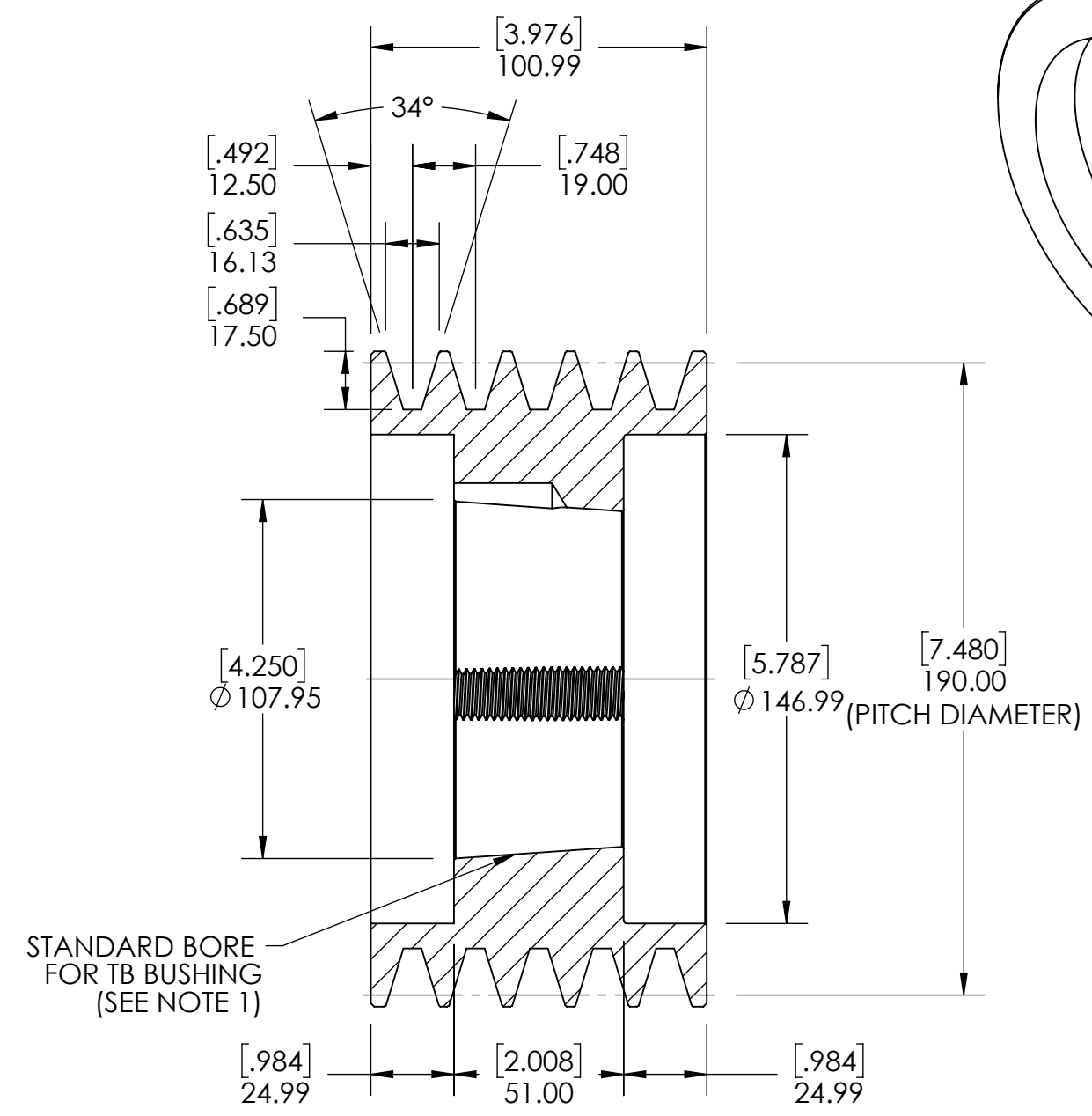
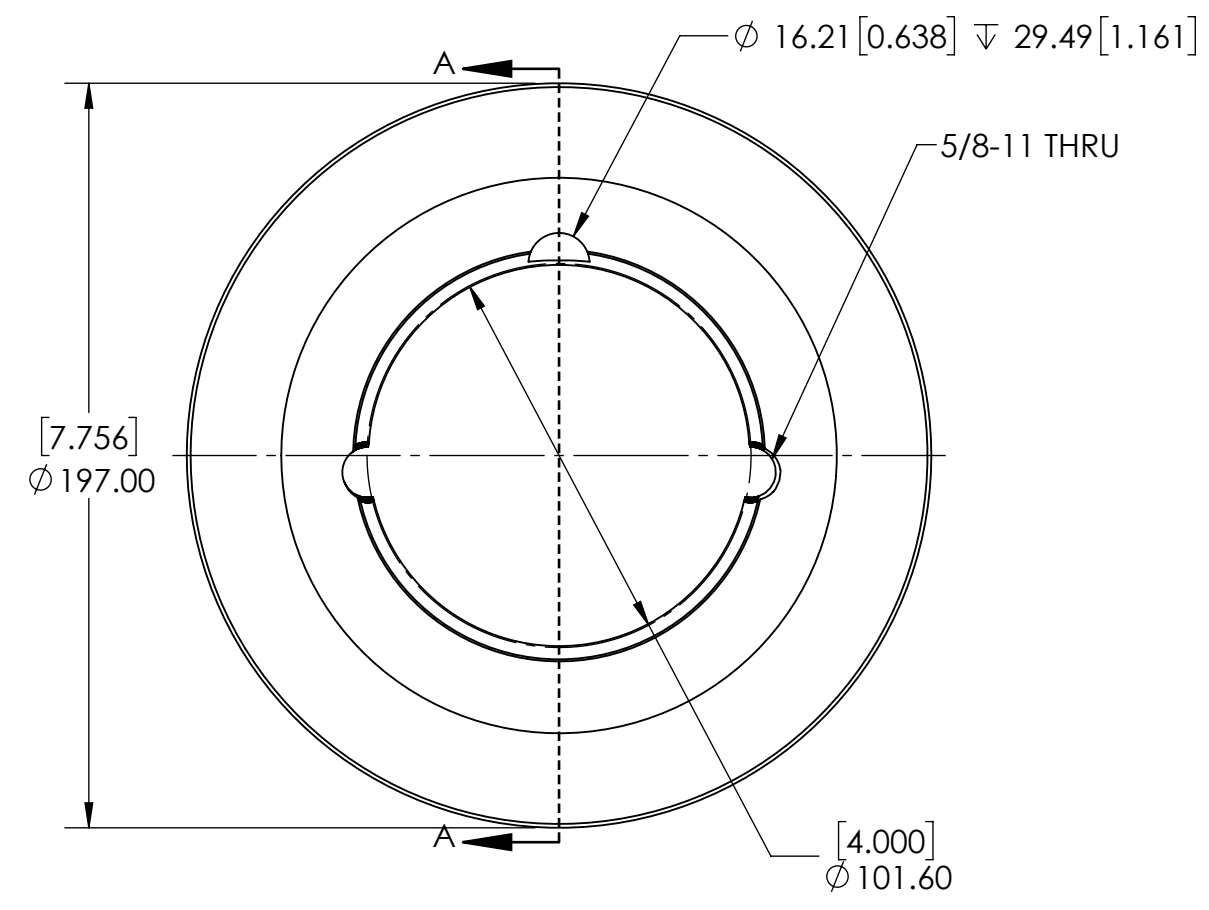


9 8 7 6 5 4 3 2 1

G  
F  
E  
D  
C  
B  
A

G  
F  
E  
D  
C  
B  
A



STANDARD BORE FOR TB BUSHING (SEE NOTE 1)

SECTION A-A

NOTES:  
 1. TB BUSHING SIZE: 3020  
 2. UNITS: mm[INCHES].

<b>SOLVE</b> INDUSTRIAL MOTION GROUP		WEIGHT	8.95 KG					
		MATERIAL	CAST IRON					
		COATING	GREY PAINT					
		DRAWN	MTC	09/02/2025				
		CHECKED	PT	09/08/2025				
		APPROVED			DATE	BY	REVISION DESCRIPTION	
SIZE	<b>PTI</b>							REV
DWG. NO.		PROPRIETARY AND CONFIDENTIAL		ITEM DESCRIPTION:		SPB190X5-3020		SCALE
		THE INFORMATION CONTAINED IN THIS DRAWING IS THE SOLE PROPERTY OF SOLVE IMG. ANY REPRODUCTION IN PART OR AS A WHOLE WITHOUT THE WRITTEN PERMISSION OF SOLVE IMG IS PROHIBITED.						1:2
								REV
								-

9 8 7 6 5 4 3 2 1