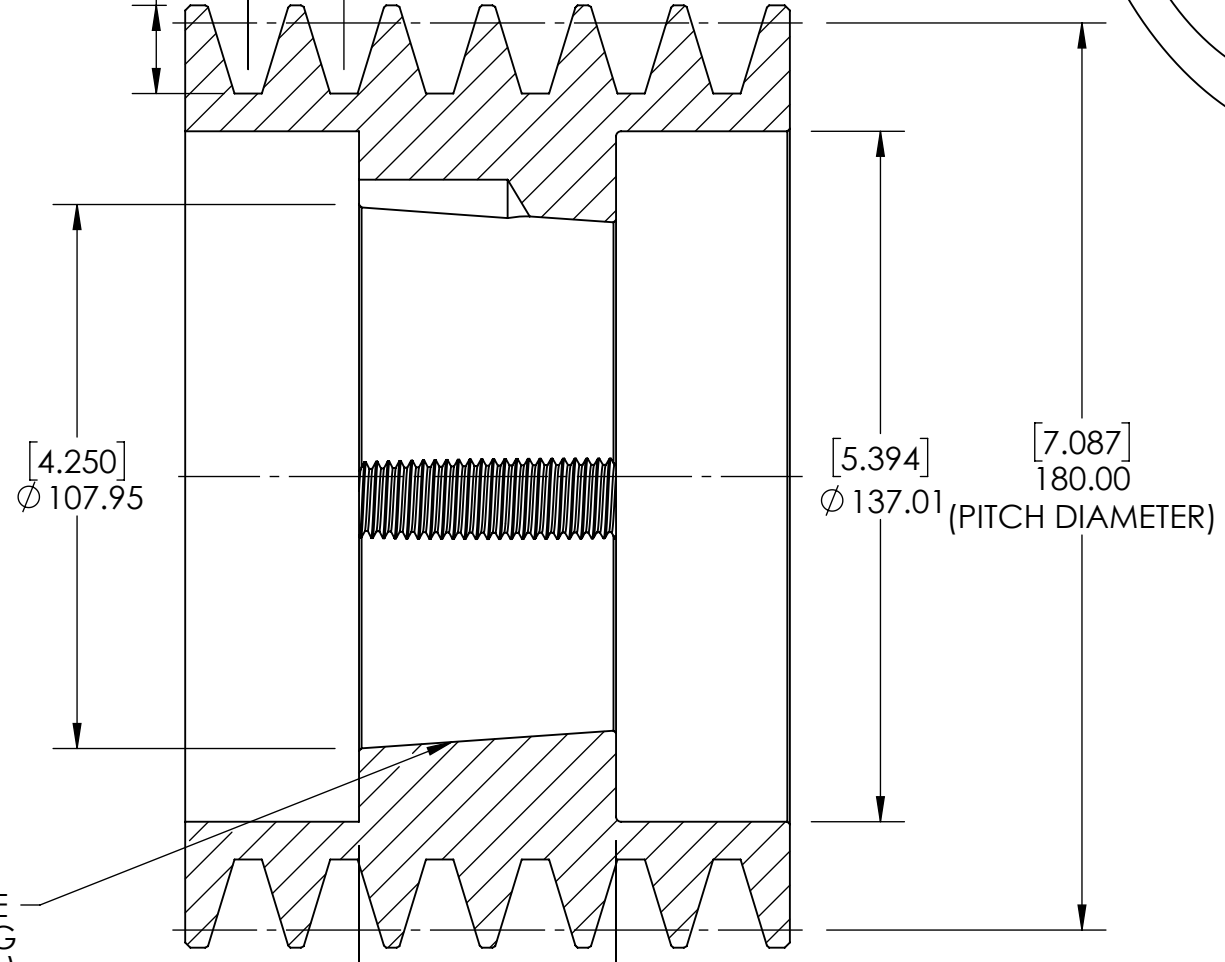
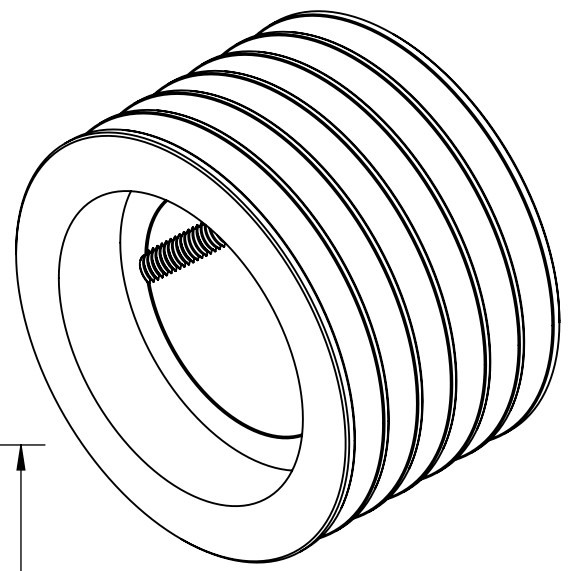
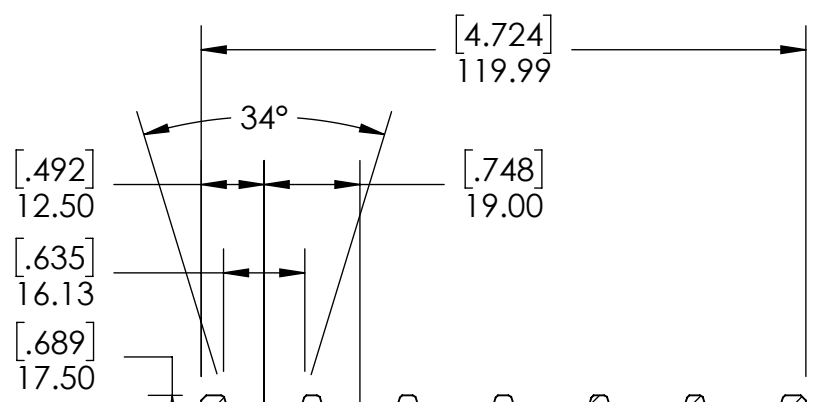
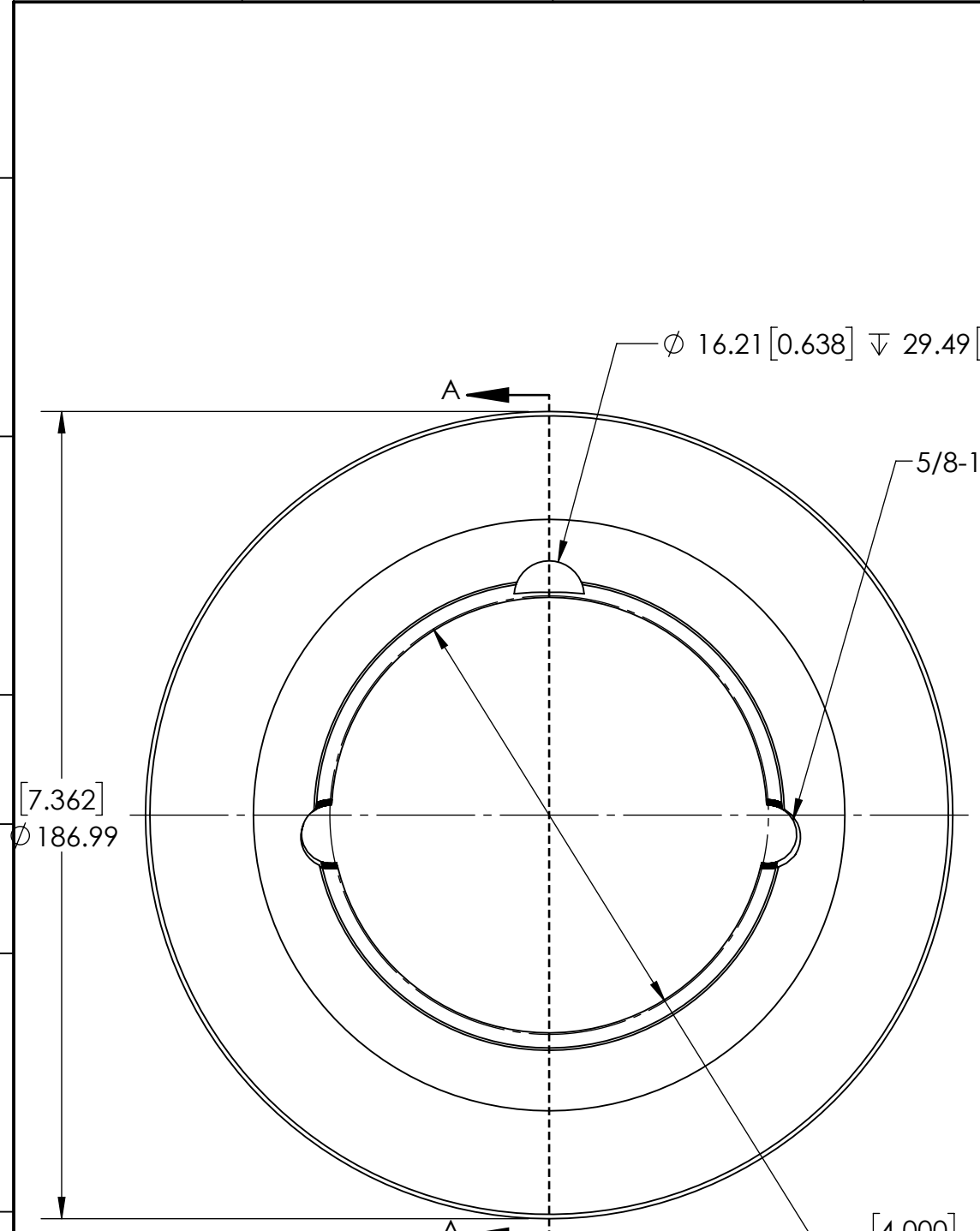


9 8 7 6 5 4 3 2 1

G F E D C B A



STANDARD BORE FOR TB BUSHING (SEE NOTE 1)

SECTION A-A

NOTES:
 1. TB BUSHING SIZE: 3020
 2. UNITS: mm[INCHES].

SOLVE INDUSTRIAL MOTION GROUP		WEIGHT	8.77 KG			
		MATERIAL	CAST IRON			
		COATING	GREY PAINT			
		DRAWN	MTC 09/02/2025			
		CHECKED	PT 09/05/2025			
		APPROVED		DATE	BY	REVISION DESCRIPTION
SIZE	PTI	THIRD ANGLE PROJECTION		ITEM DESCRIPTION:		
B				SPB180X6-3020		
DWG. NO.		PROPRIETARY AND CONFIDENTIAL THE INFORMATION CONTAINED IN THIS DRAWING IS THE SOLE PROPERTY OF SOLVE IMG. ANY REPRODUCTION IN PART OR AS A WHOLE WITHOUT THE WRITTEN PERMISSION OF SOLVE IMG IS PROHIBITED.		SCALE		
				1:1.5		
				REV		
				-		

9 8 7 6 5 4 3 2 1

A