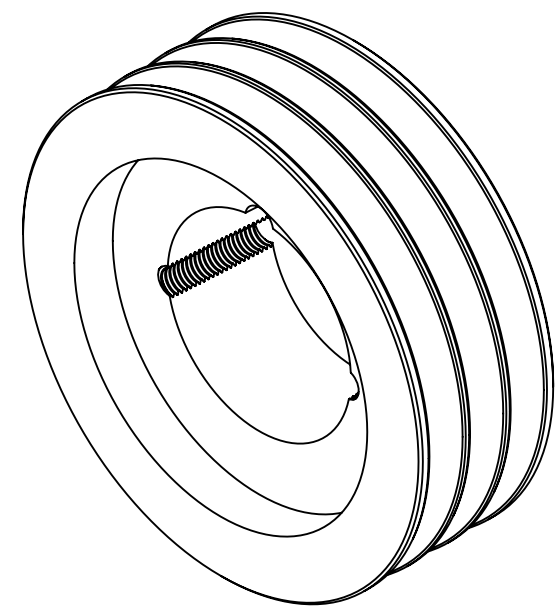
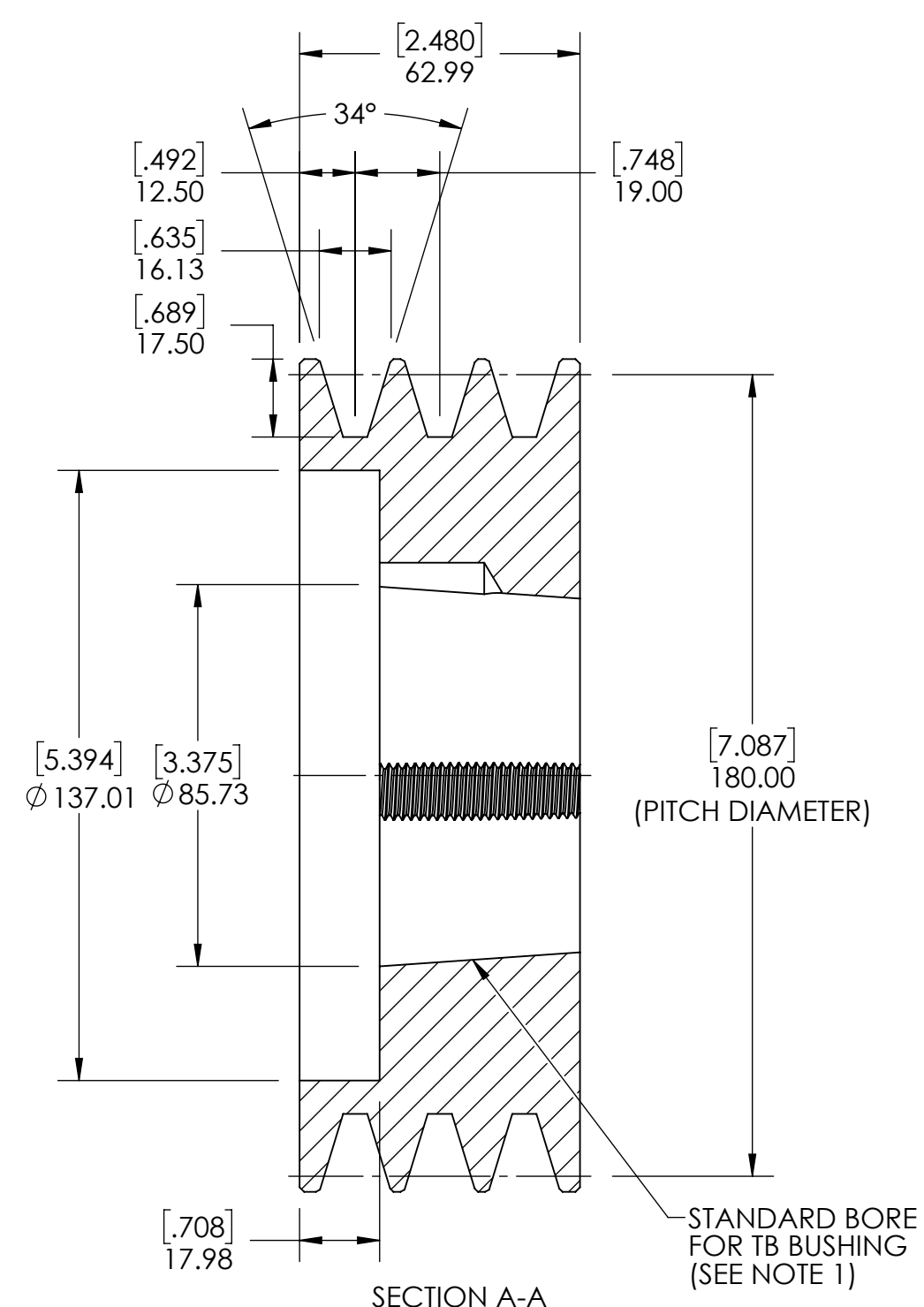
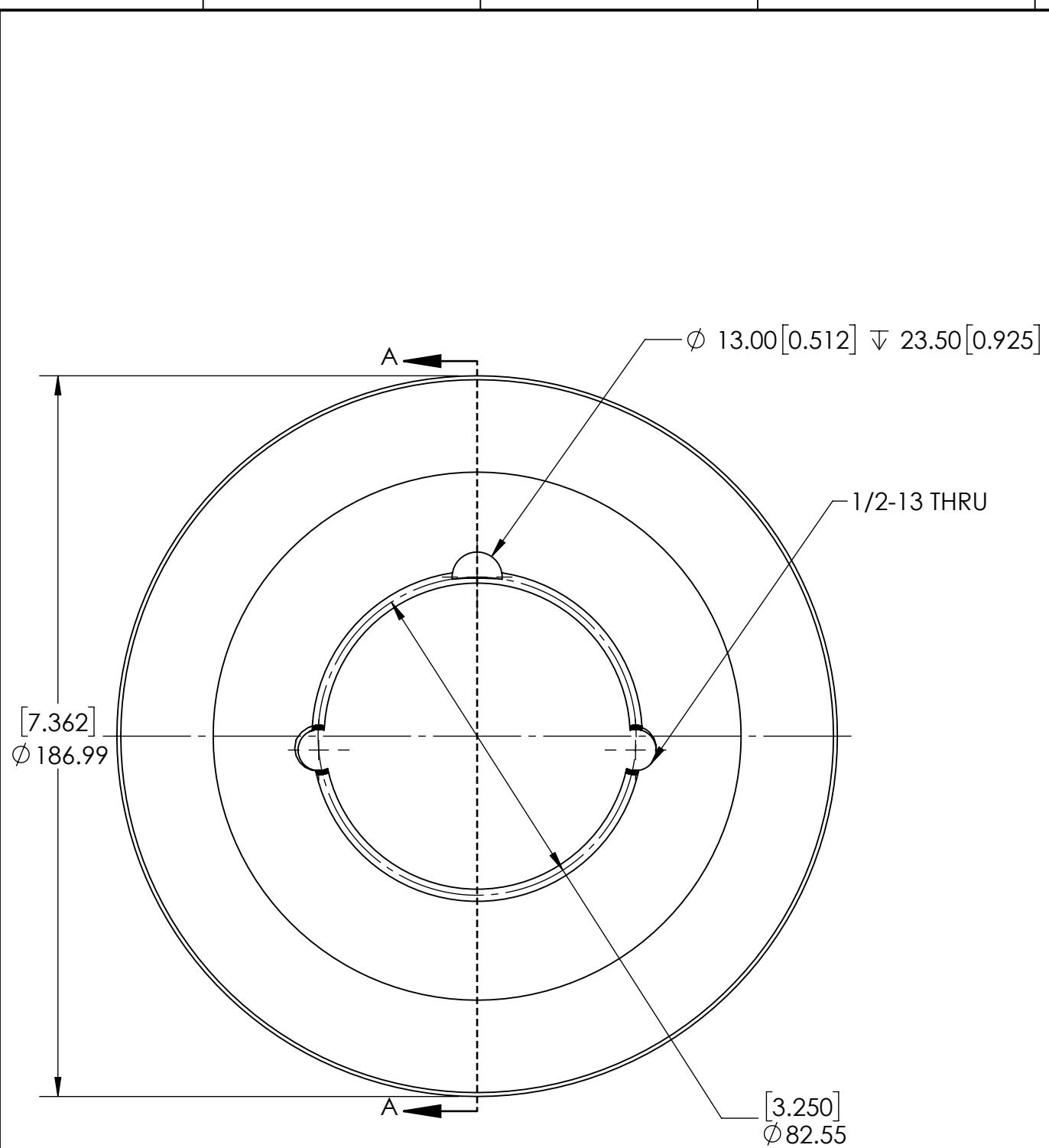


9 8 7 6 5 4 3 2 1

G F E D C B A



NOTES:
 1. TB BUSHING SIZE: 2517
 2. UNITS: mm[INCHES].

SOLVE INDUSTRIAL MOTION GROUP		WEIGHT	6.55 KG				
		MATERIAL	CAST IRON				
		COATING	GREY PAINT				
		DRAWN	MTC	09/02/2025			
		CHECKED	PT	09/03/2025			
		APPROVED			DATE	BY	REVISION DESCRIPTION
SIZE B		PTI		ITEM DESCRIPTION:			REV
DWG. NO.		PROPRIETARY AND CONFIDENTIAL		SPB180X3-2517			SCALE
		THE INFORMATION CONTAINED IN THIS DRAWING IS THE SOLE PROPERTY OF SOLVE IMG. ANY REPRODUCTION IN PART OR AS A WHOLE WITHOUT THE WRITTEN PERMISSION OF SOLVE IMG IS PROHIBITED.					1:1.5
							REV
							-

9 8 7 6 5 4 3 2 1

A