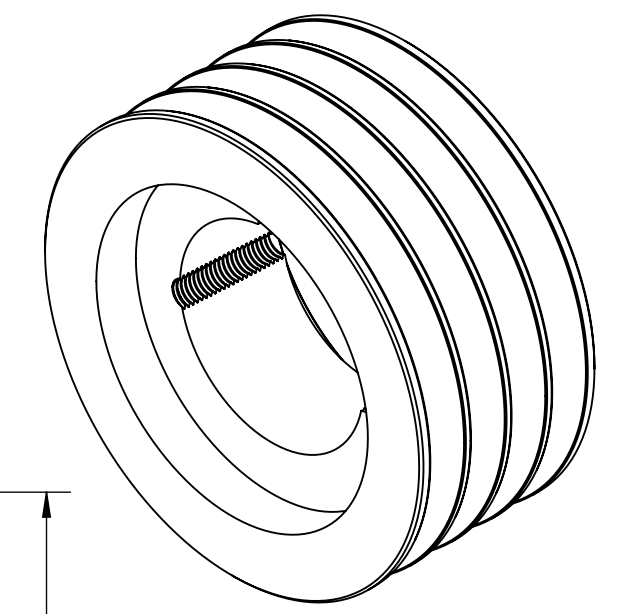
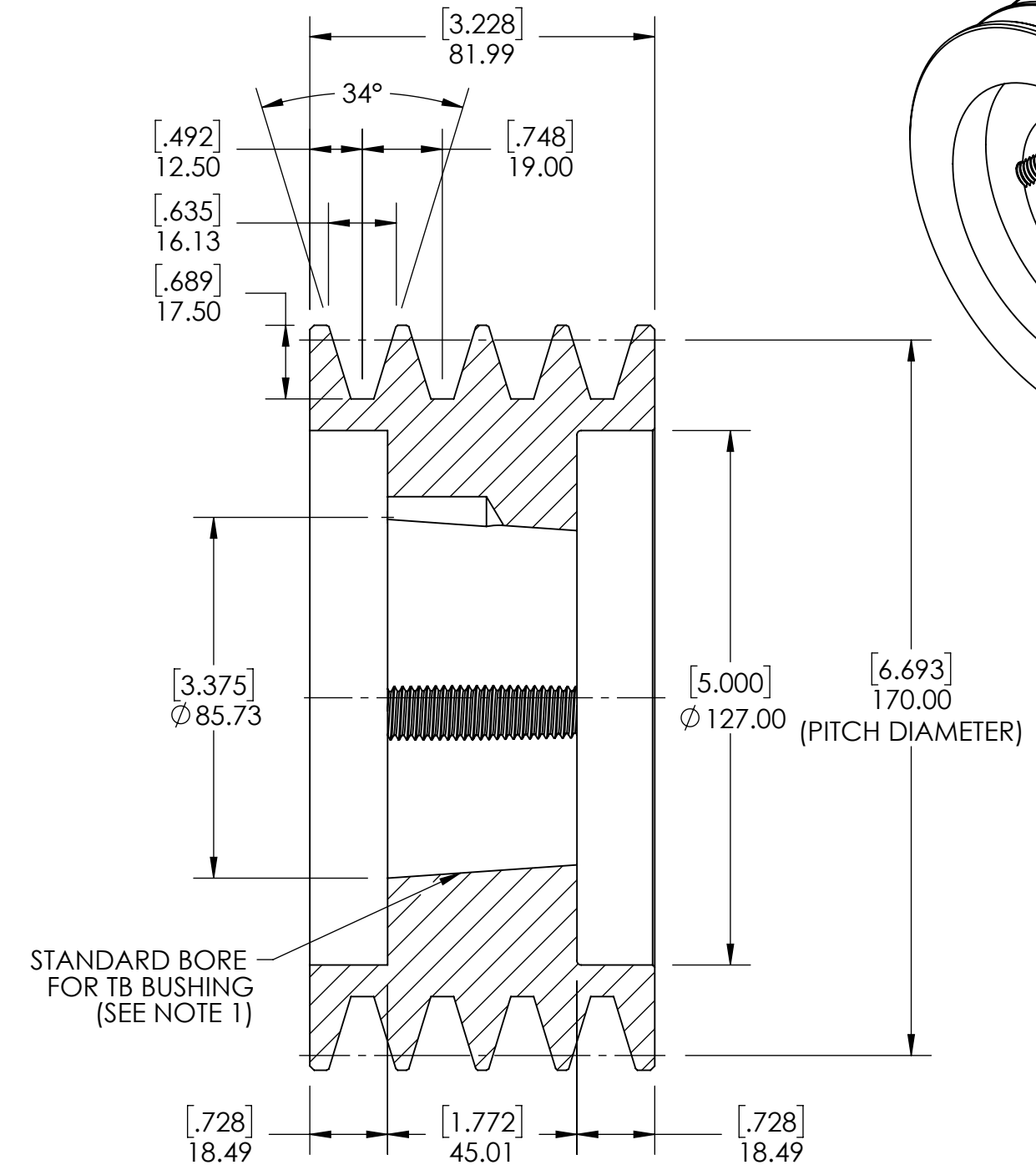
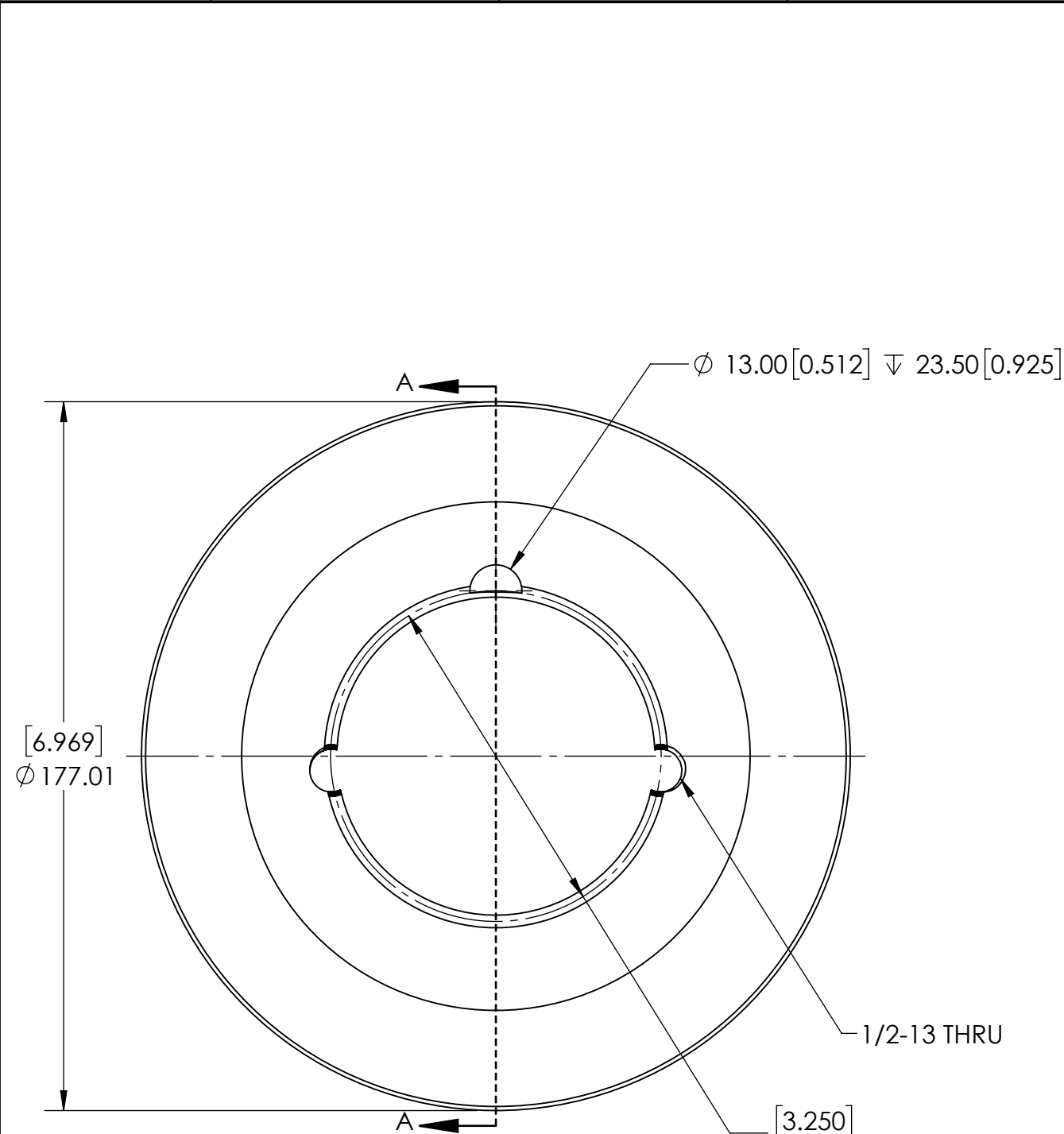


9 8 7 6 5 4 3 2 1

G F E D C B A



SECTION A-A

NOTES:
 1. TB BUSHING SIZE: 2517
 2. UNITS: mm[INCHES].

| | | | | | | | | |
|--------------------------------------|--|--|------------|-------------------|------|---------------|----------------------|-------|
| SOLVE INDUSTRIAL MOTION GROUP | | WEIGHT | 6.59 KG | | | | | |
| | | MATERIAL | CAST IRON | | | | | |
| | | COATING | GREY PAINT | | | | | |
| | | DRAWN | MTC | 09/02/2025 | | | | |
| | | CHECKED | PT | 09/03/2025 | | | | |
| | | APPROVED | | | DATE | BY | REVISION DESCRIPTION | REV |
| SIZE B | | PTI | | | | | | SCALE |
| DWG. NO. | | PROPRIETARY AND CONFIDENTIAL | | ITEM DESCRIPTION: | | SPB170X4-2517 | | 1:1.5 |
| | | THE INFORMATION CONTAINED IN THIS DRAWING IS THE SOLE PROPERTY OF SOLVE IMG. ANY REPRODUCTION IN PART OR AS A WHOLE WITHOUT THE WRITTEN PERMISSION OF SOLVE IMG IS PROHIBITED. | | | | | | REV |
| | | | | | | | | - |

9 8 7 6 5 4 3 2 1

A