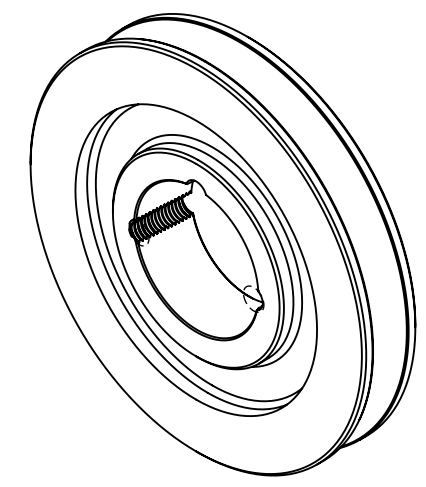
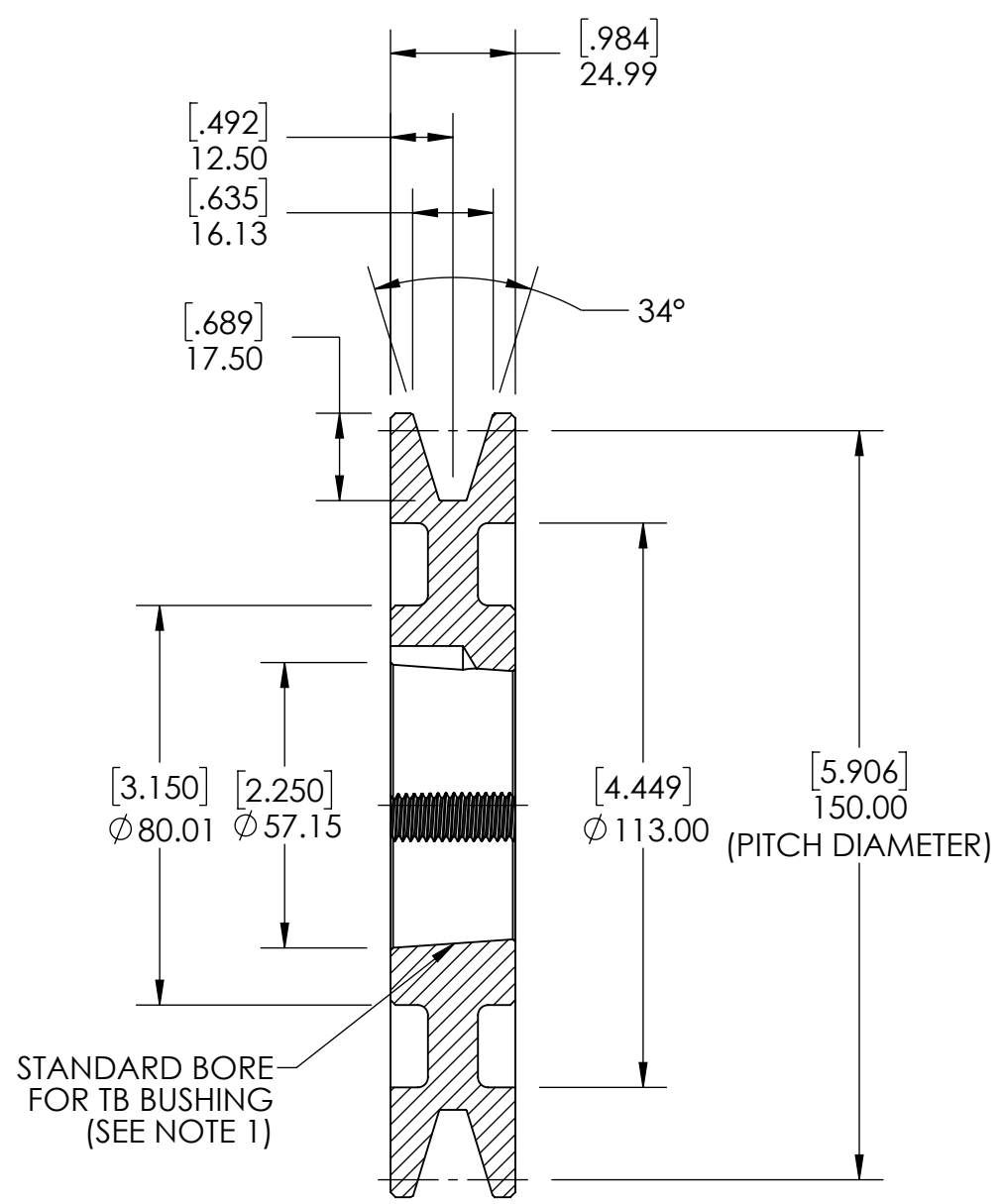
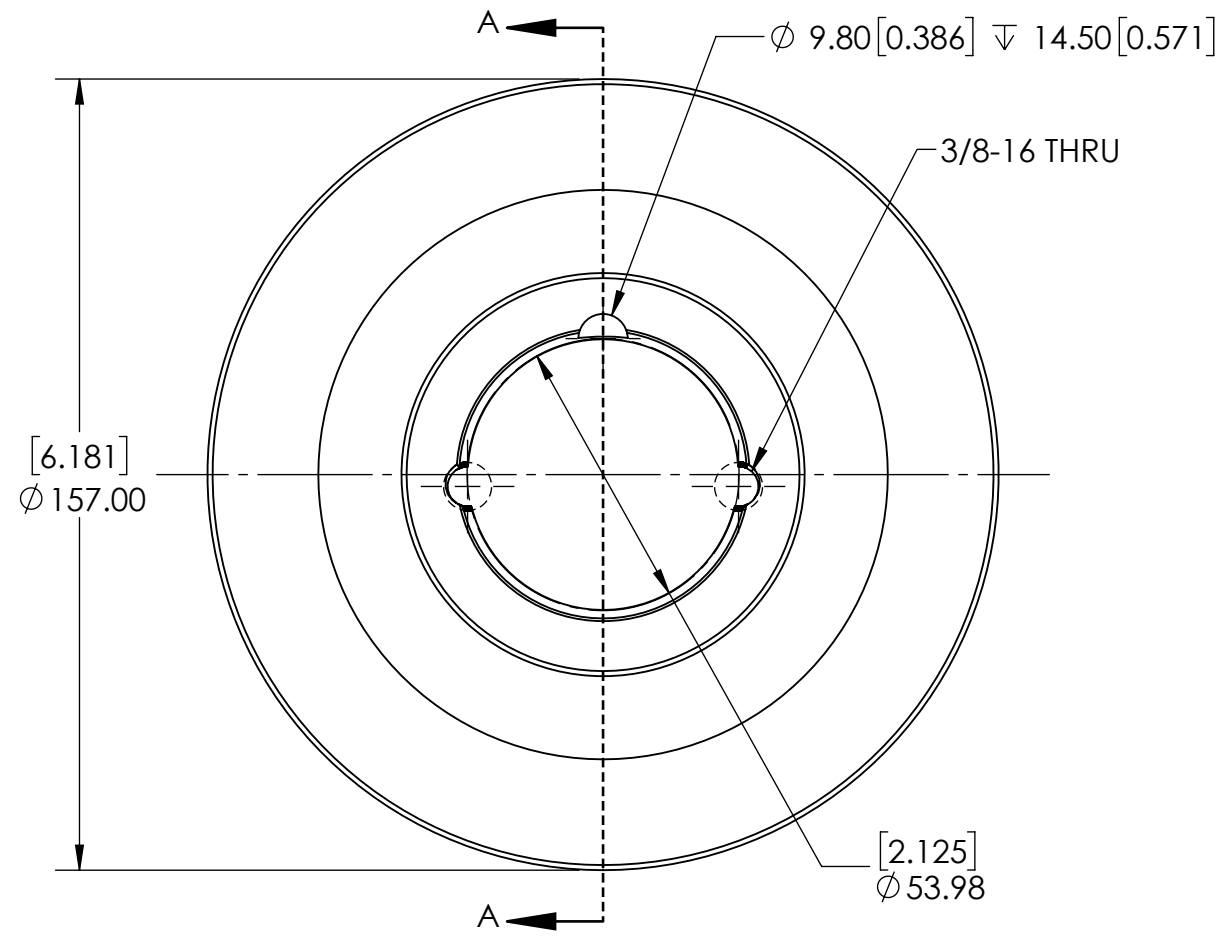


9 8 7 6 5 4 3 2 1

G
F
E
D
C
B
A

G
F
E
D
C
B
A



SECTION A-A

NOTES:
 1. TB BUSHING SIZE: 1610
 2. UNITS: mm [INCHES].

SOLVE INDUSTRIAL MOTION GROUP		WEIGHT	1.89 KG					
		MATERIAL	CAST IRON					
		COATING	GREY PAINT					
		DRAWN	MTC	09/02/2025				
		CHECKED	PT	09/03/2025				
		APPROVED			DATE	BY	REVISION DESCRIPTION	REV
SIZE	B	THIRD ANGLE PROJECTION			ITEM DESCRIPTION:			SCALE
DWG. NO.		PROPRIETARY AND CONFIDENTIAL		SPB150X1-1610			1:1.5	
		THE INFORMATION CONTAINED IN THIS DRAWING IS THE SOLE PROPERTY OF SOLVE IMG. ANY REPRODUCTION IN PART OR AS A WHOLE WITHOUT THE WRITTEN PERMISSION OF SOLVE IMG IS PROHIBITED.					REV	-

9 8 7 6 5 4 3 2 1