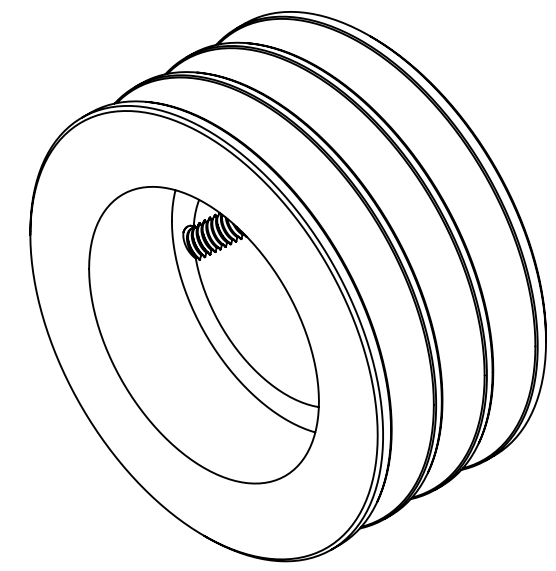
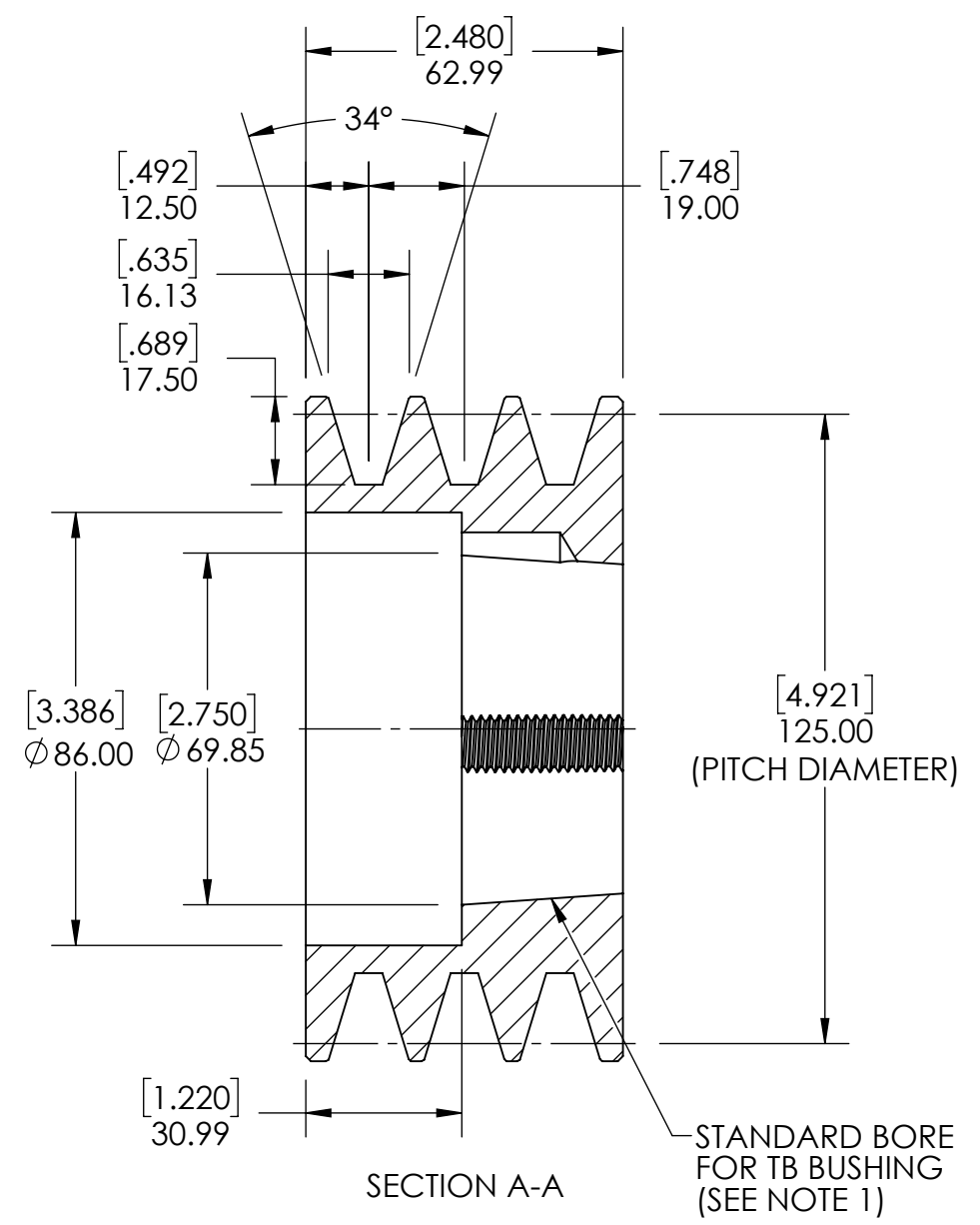
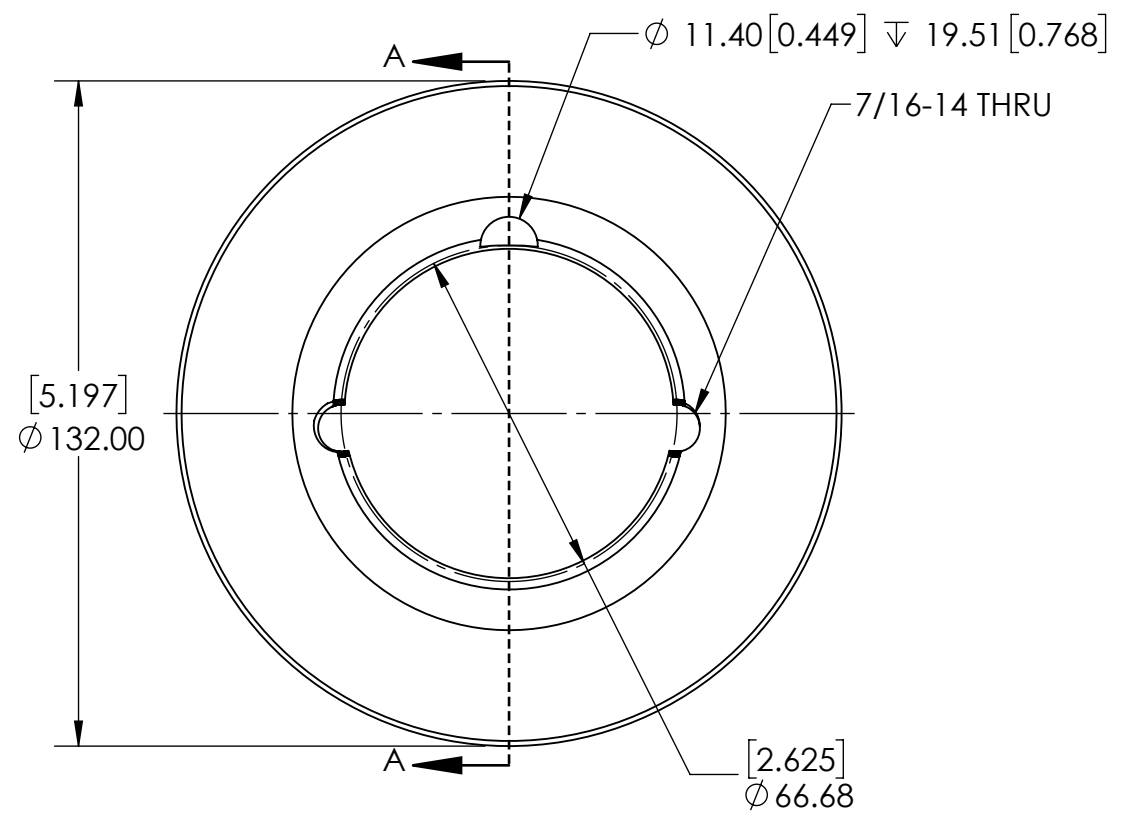


9 8 7 6 5 4 3 2 1

G
F
E
D
C
B
A

G
F
E
D
C
B
A



NOTES:
 1. TB BUSHING SIZE: 2012
 2. UNITS: mm[INCHES].

SOLVE INDUSTRIAL MOTION GROUP		WEIGHT	2.55 KG					
		MATERIAL	CAST IRON					
		COATING	GREY PAINT					
		DRAWN	MTC	09/02/2025				
		CHECKED	PT	09/08/2025				
		APPROVED			DATE	BY	REVISION DESCRIPTION	REV
SIZE	PTI	THIRD ANGLE PROJECTION		ITEM DESCRIPTION:				SCALE
DWG. NO.		PROPRIETARY AND CONFIDENTIAL		SPB125X3-2012				1:1.5
		THE INFORMATION CONTAINED IN THIS DRAWING IS THE SOLE PROPERTY OF SOLVE IMG. ANY REPRODUCTION IN PART OR AS A WHOLE WITHOUT THE WRITTEN PERMISSION OF SOLVE IMG IS PROHIBITED.						REV
								-

9 8 7 6 5 4 3 2 1