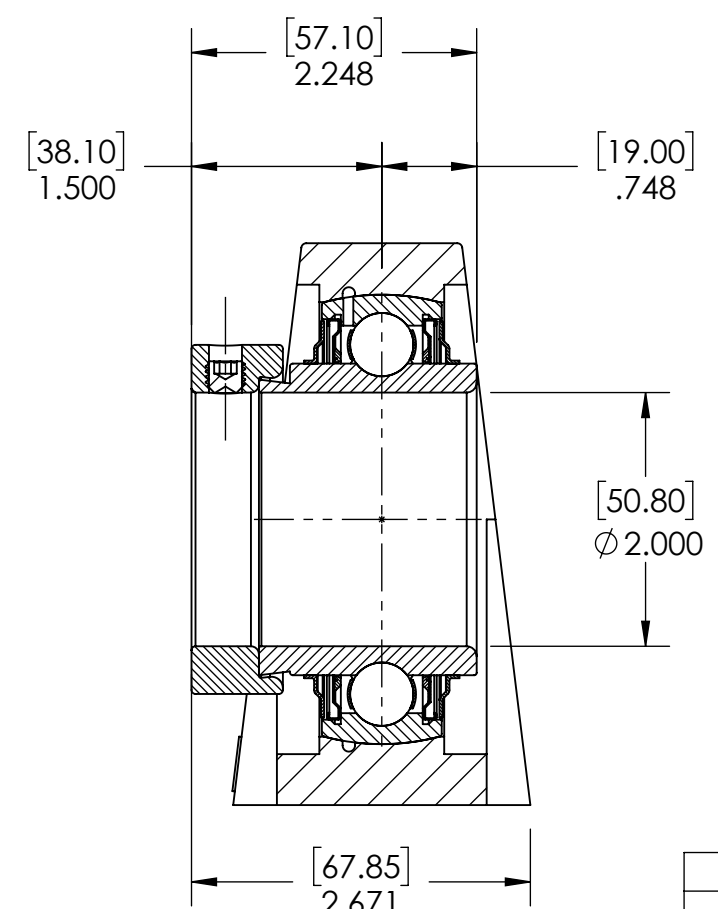
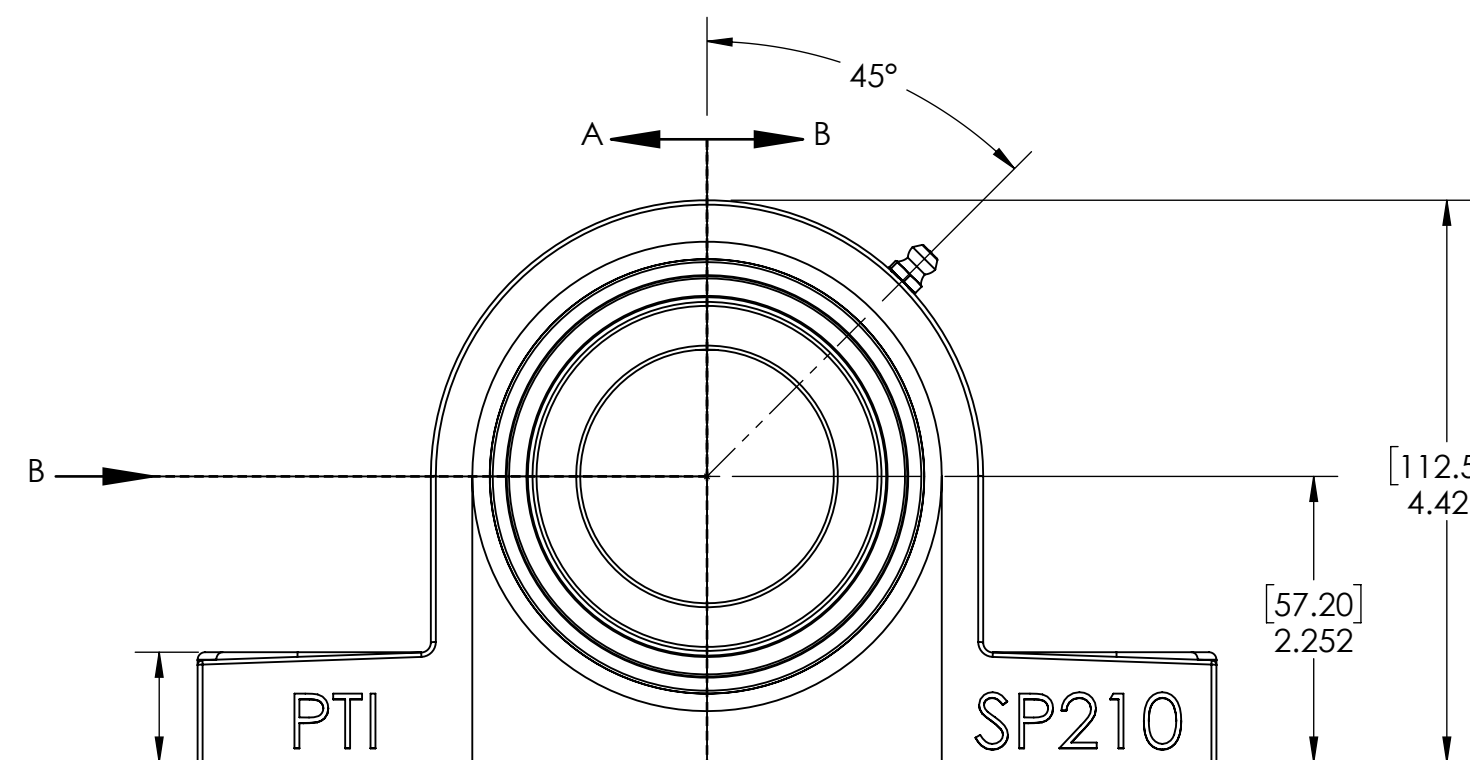
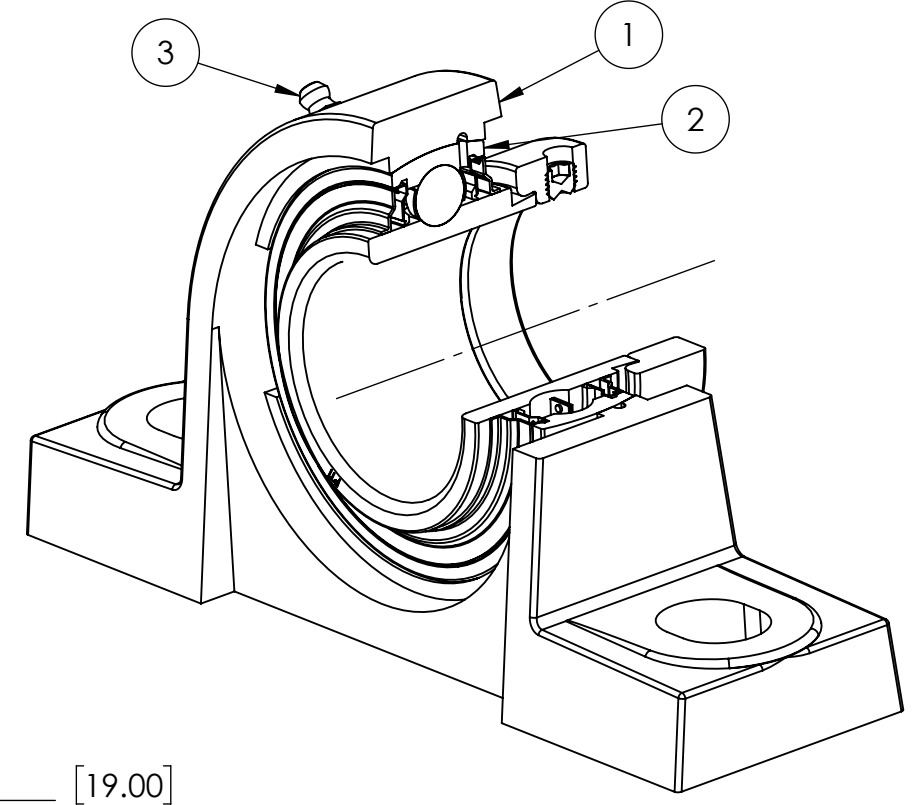
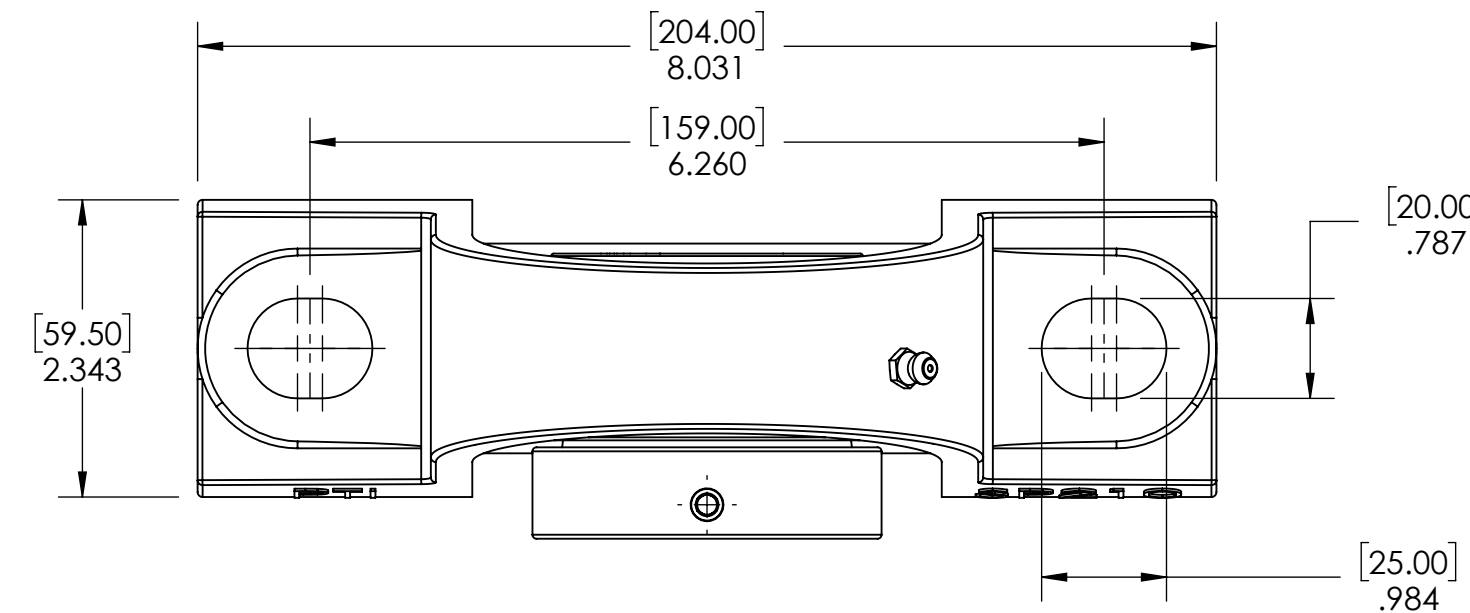


9 8 7 6 5 4 3 2 1

G G



SECTION VIEW A-A

ITEM NO.	PART NUMBER	MATERIAL	COATING	QTY.
3	M6 ZERK	STAINLESS STEEL	N/A	1
2	SHC210-32	STAINLESS STEEL	N/A	1
1	SP210	STAINLESS STEEL	N/A	1

SPECIFICATIONS		WEIGHT	
UNITS:	IN [mm]		6.88 LBS
LOAD RATINGS	C: 6,800 LBS Co: 4,200 LBS	MATERIAL	SEE BOM
SPEED RATING	3400 RPM	COATING	SEE BOM
GREASE TYPE	FM222	DRAWN	SEC 12/26/2024
GREASE FILL	40%	CHECKED	AK 01/09/2025
OPERATING TEMP	-10°F - 250°F	APPROVED	
SEAL TYPE	K-TYPE		
INTERNAL CLEARANCE	C3		
TORQUE SETTING ON SET SCREWS			



DATE	BY	REVISION DESCRIPTION	REV
ITEM DESCRIPTION:			SCALE
SHCSP210-32			1:7
			REV
			-

A A

9 8 7 6 5 4 3 2 1