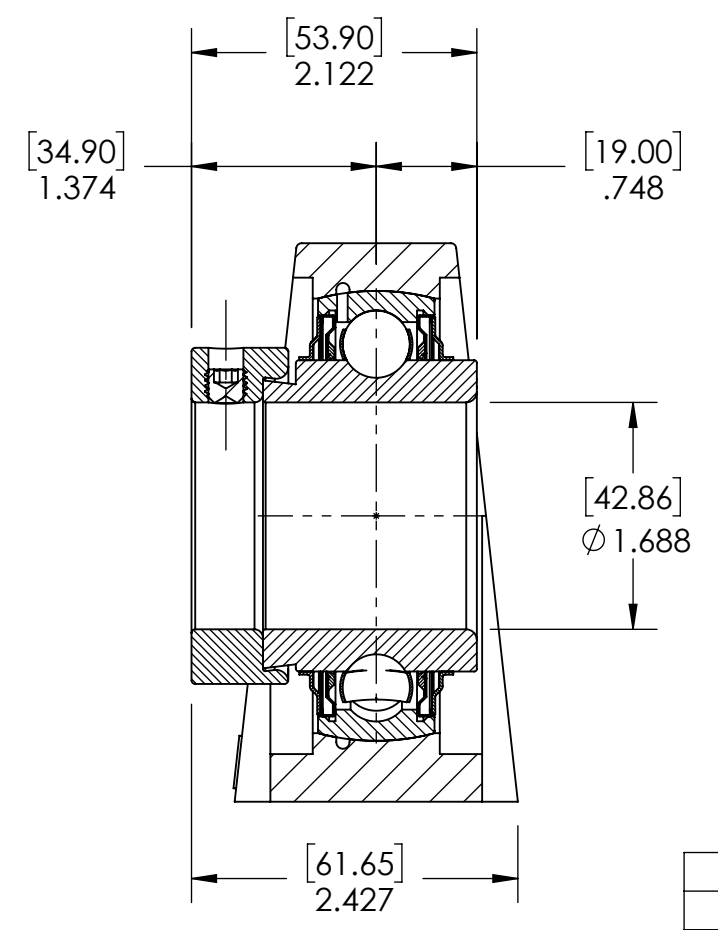
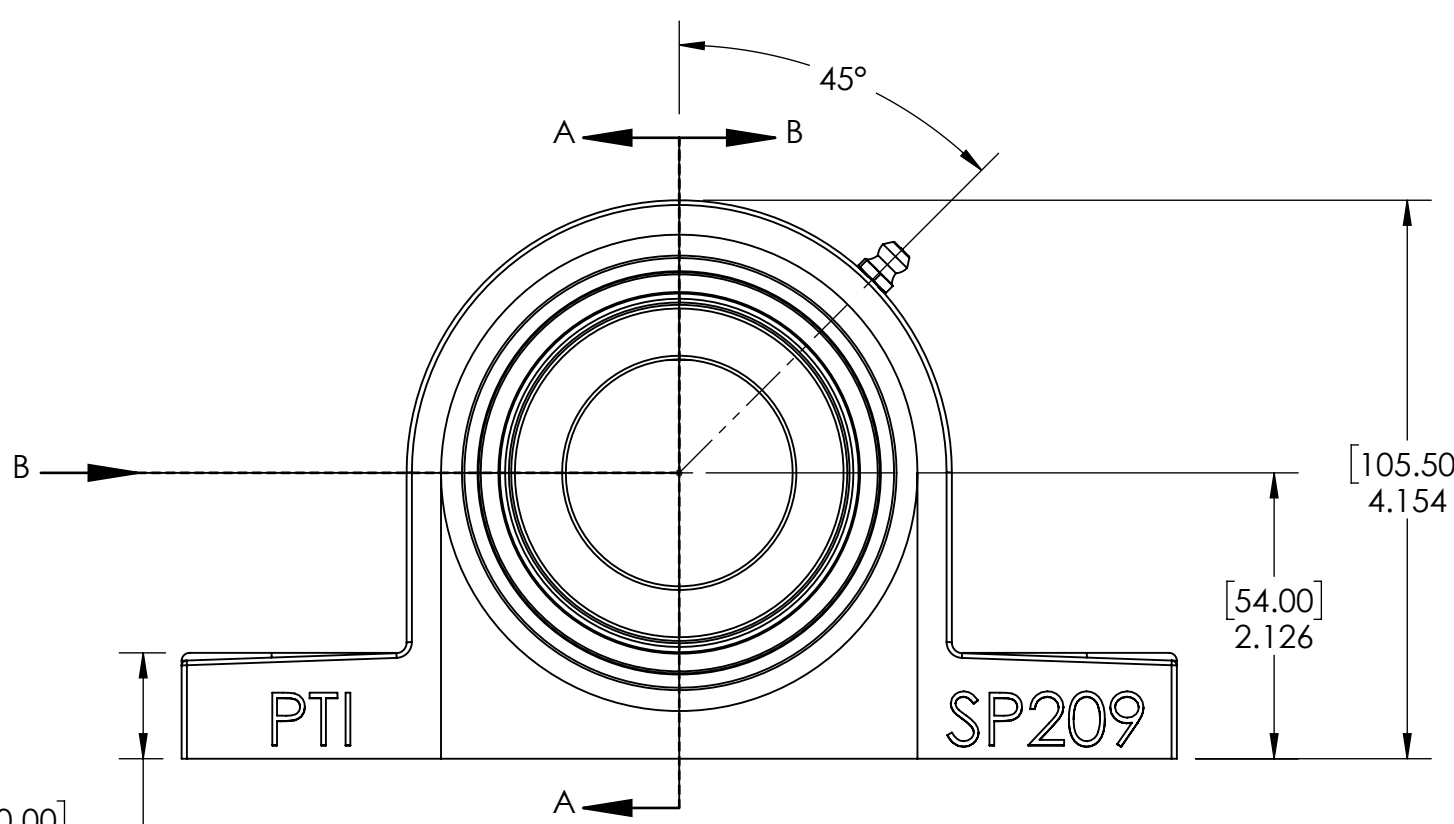
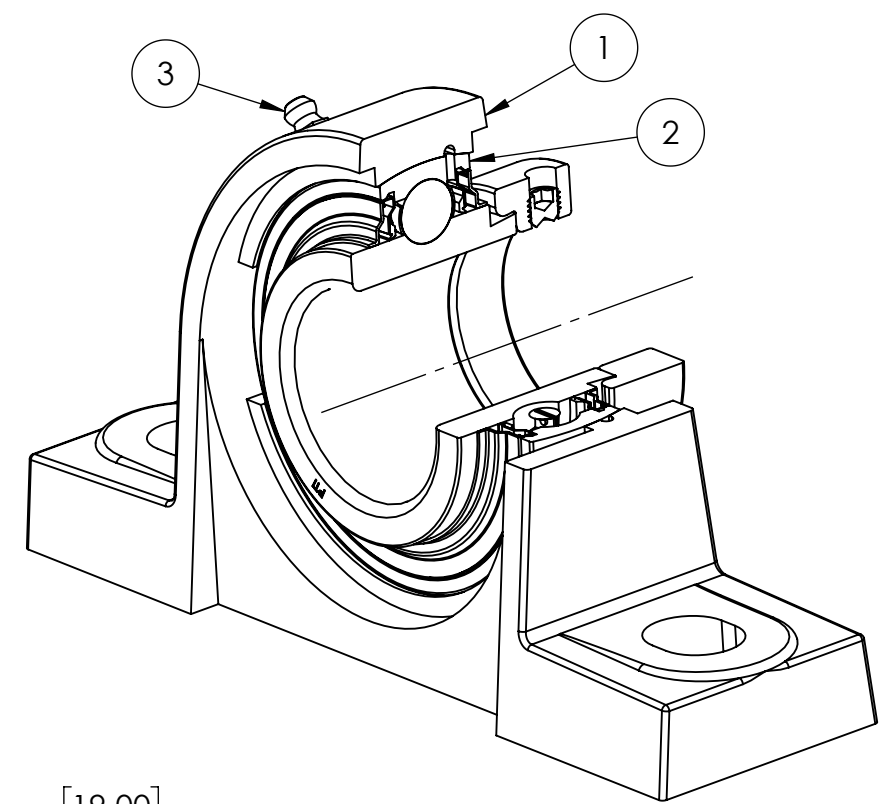
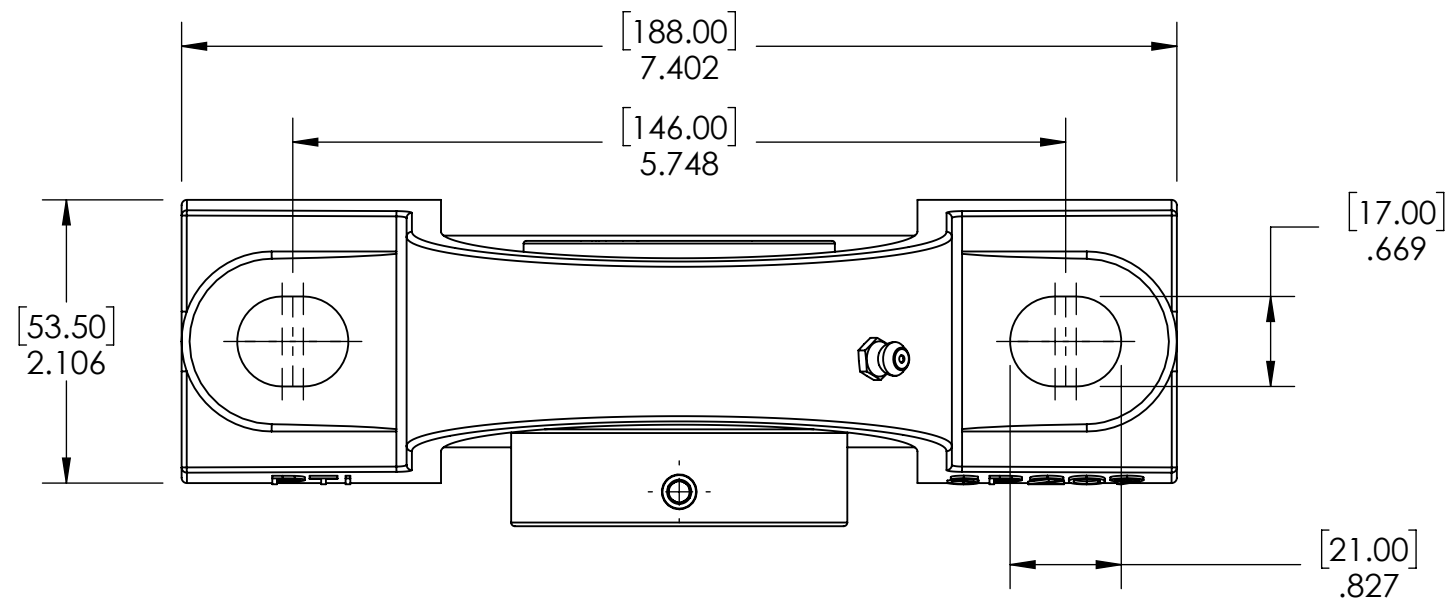


9 8 7 6 5 4 3 2 1

G
F
E
D
C
B
A

G
F
E
D
C
B
A



SECTION VIEW A-A

ITEM NO.	PART NUMBER	MATERIAL	COATING	QTY.
3	M6 ZERK	STAINLESS STEEL	N/A	1
2	SHC209-27	STAINLESS STEEL	N/A	1
1	SP209	STAINLESS STEEL	N/A	1

SPECIFICATIONS		SOLVE INDUSTRIAL MOTION GROUP		WEIGHT	
UNITS:	IN (mm)	SIZE	B	5.71 LBS	
LOAD RATINGS	C: 6,200 LBS Co: 3,600 LBS	DWG. NO.		MATERIAL	SEE BOM
SPEED RATING	3700 RPM			COATING	SEE BOM
GREASE TYPE	FM222			DRAWN	SEC 12/26/2024
GREASE FILL	40%			CHECKED	AK 01/09/2025
OPERATING TEMP	-10°F - 250°F			APPROVED	
SEAL TYPE	K-TYPE			THIRD ANGLE PROJECTION	
INTERNAL CLEARANCE	C3			DATE BY REVISION DESCRIPTION	
TORQUE SETTING ON SET SCREWS				ITEM DESCRIPTION: SHCSP209-27	

DATE	BY	REVISION DESCRIPTION	REV
			SCALE 1:8
			REV -

9 8 7 6 5 4 3 2 1