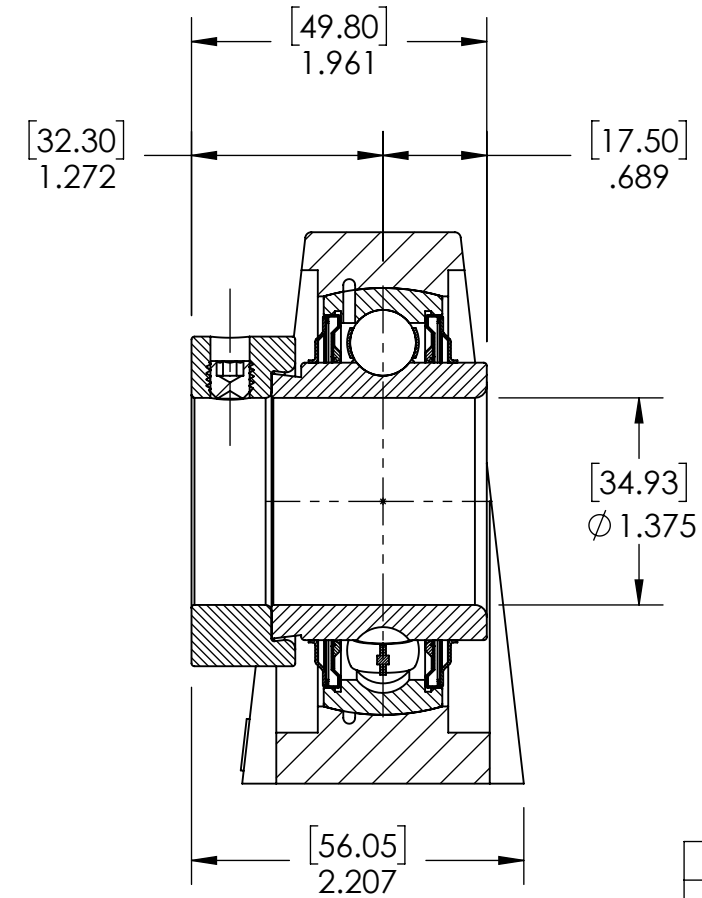
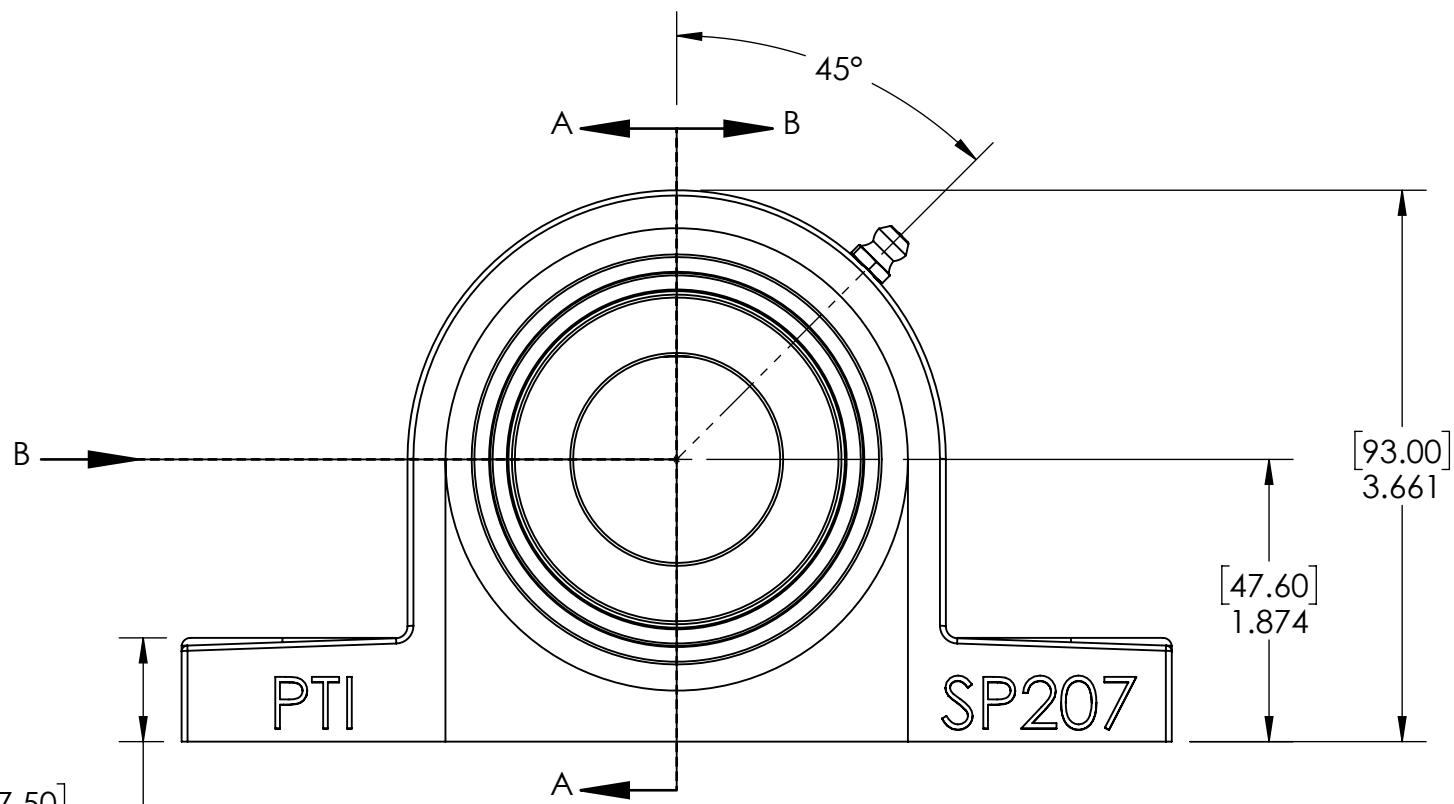
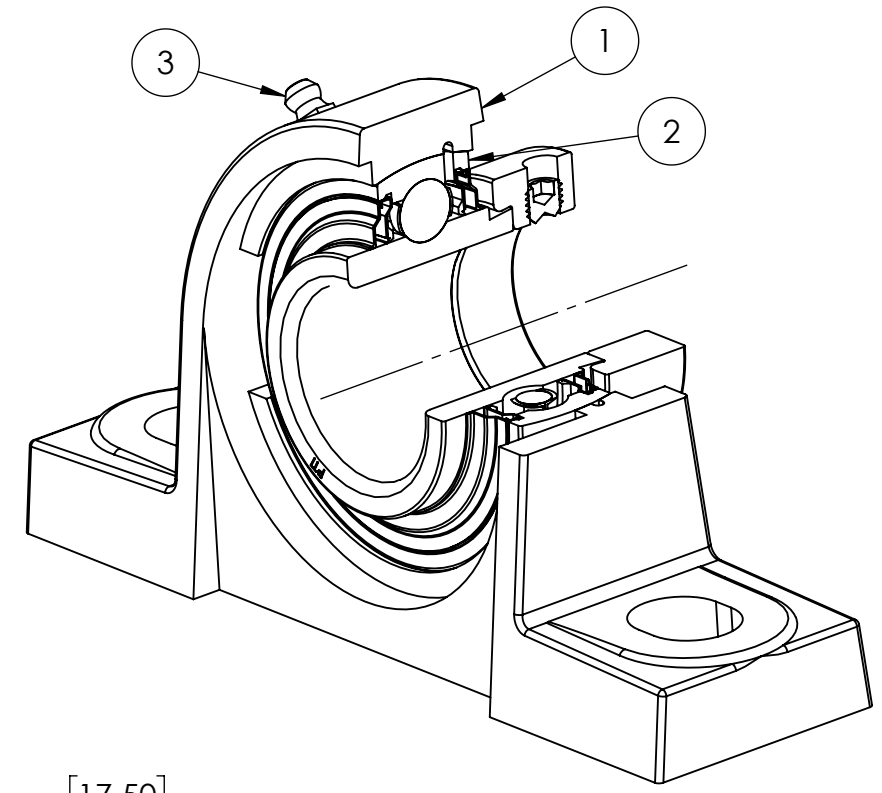
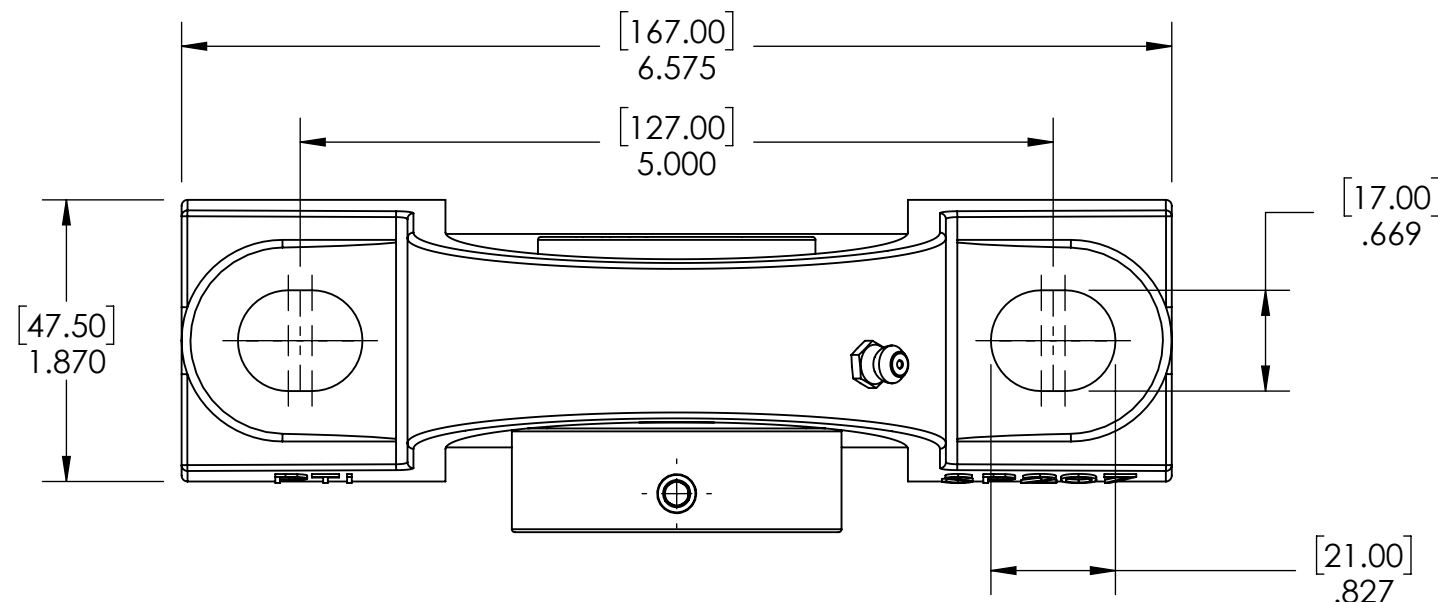


9 8 7 6 5 4 3 2 1

G F E D C B A



SECTION VIEW A-A

ITEM NO.	PART NUMBER	MATERIAL	COATING	QTY.
3	M6 ZERK	STAINLESS STEEL	N/A	1
2	SHC207-22	STAINLESS STEEL	N/A	1
1	SP207	STAINLESS STEEL	N/A	1

SPECIFICATIONS	
UNITS:	IN (mm)
LOAD RATINGS	C: 4,850 LBS Co: 2,800 LBS
SPEED RATING	4500 RPM
GREASE TYPE	FM222
GREASE FILL	40%
OPERATING TEMP	-10°F - 250°F
SEAL TYPE	K-TYPE
INTERNAL CLEARANCE	C3
TORQUE SETTING ON SET SCREWS	

SOLVE
INDUSTRIAL MOTION GROUP

SIZE **PTI**

DWG. NO.

WEIGHT	4.08 LBS
MATERIAL	SEE BOM
COATING	SEE BOM
DRAWN	SEC 12/26/2024
CHECKED	AK 01/09/2025
APPROVED	
THIRD ANGLE PROJECTION	

PROPRIETARY AND CONFIDENTIAL
THE INFORMATION CONTAINED IN THIS DRAWING IS THE SOLE PROPERTY OF SOLVE IMG. ANY REPRODUCTION IN PART OR AS A WHOLE WITHOUT THE WRITTEN PERMISSION OF SOLVE IMG IS PROHIBITED.

DATE	BY	REVISION DESCRIPTION	REV
ITEM DESCRIPTION: SHCSP207-22			SCALE 1:9
			REV -

9 8 7 6 5 4 3 2 1

A B C D E F G