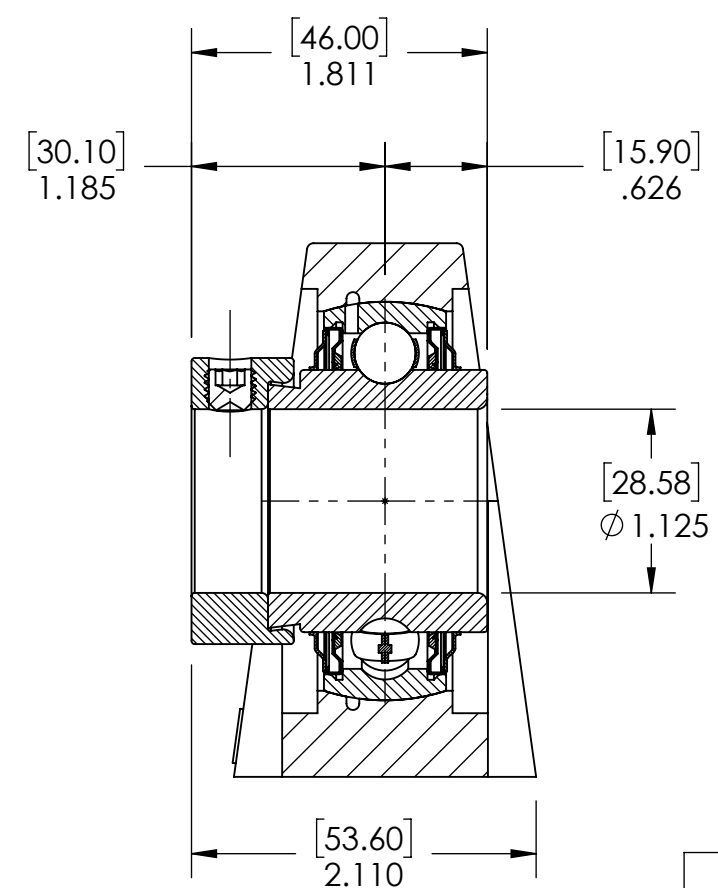
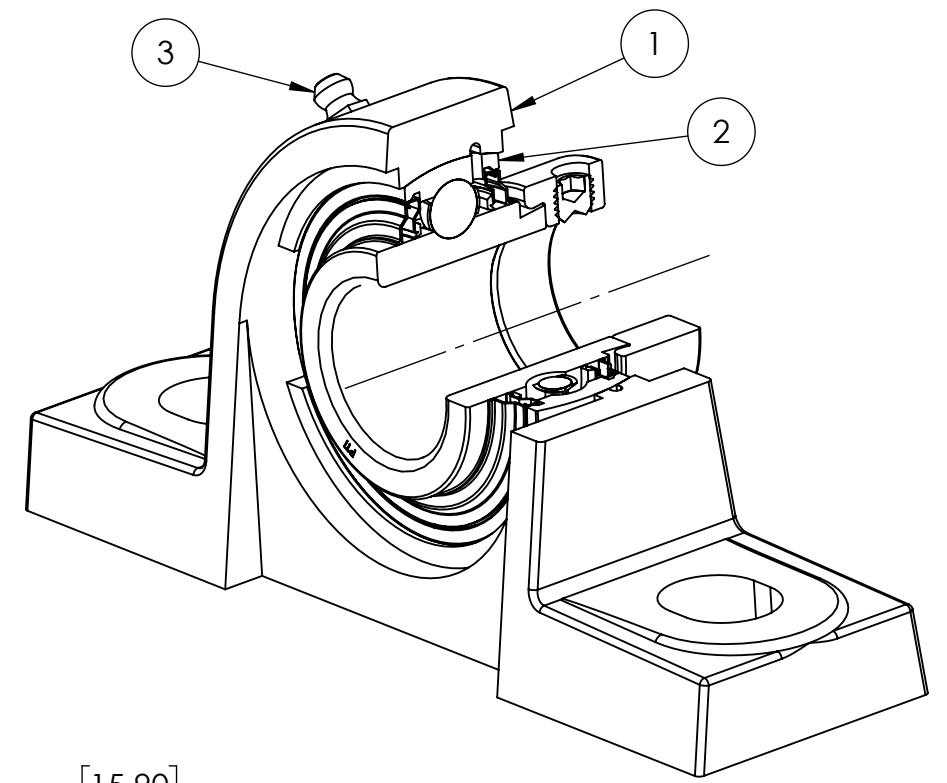
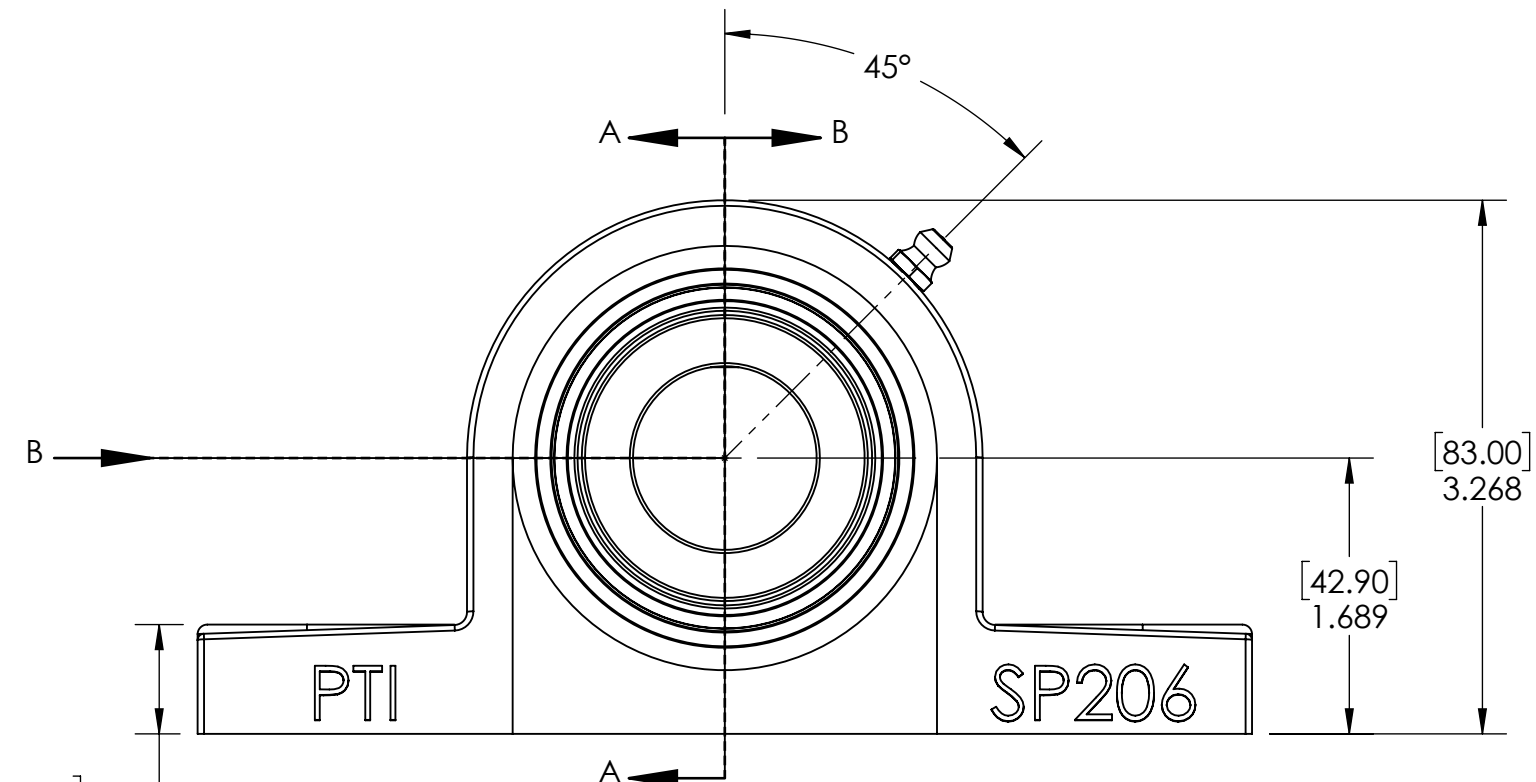
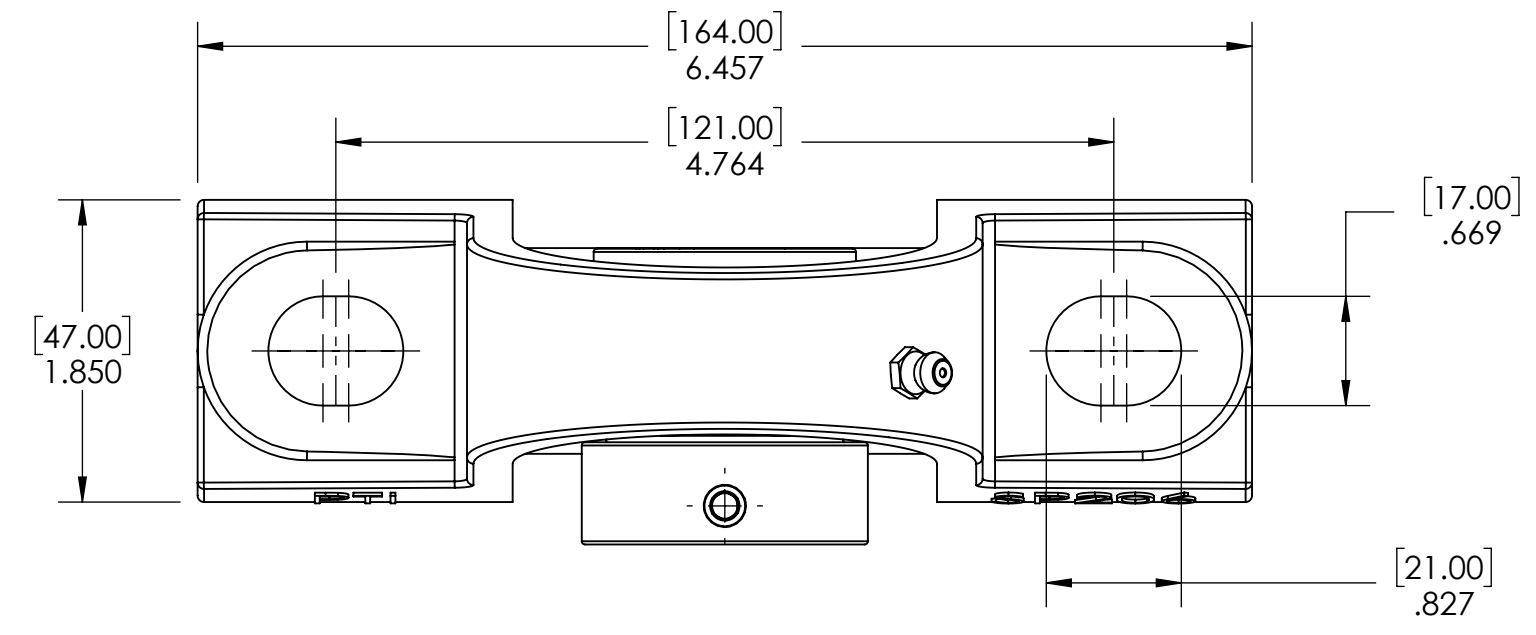


9 8 7 6 5 4 3 2 1

G F E D C B A



SECTION VIEW A-A

ITEM NO.	PART NUMBER	MATERIAL	COATING	QTY.
3	M6 ZERK	STAINLESS STEEL	N/A	1
2	SHC206-18	STAINLESS STEEL	N/A	1
1	SP206	STAINLESS STEEL	N/A	1

SPECIFICATIONS		WEIGHT	
UNITS:	IN (mm)		3.36 LBS
LOAD RATINGS	C: 3,700 LBS Co: 2,030 LBS	MATERIAL	SEE BOM
SPEED RATING	5300 RPM	COATING	SEE BOM
GREASE TYPE	FM222	DRAWN	SEC 12/26/2024
GREASE FILL	40%	CHECKED	AK 01/09/2025
OPERATING TEMP	-10°F - 250°F	APPROVED	
SEAL TYPE	K-TYPE	THIRD ANGLE PROJECTION	
INTERNAL CLEARANCE	C3		
TORQUE SETTING ON SET SCREWS			

SOLVE
INDUSTRIAL MOTION GROUP

SIZE **B**

PTI

DWG. NO.

DATE BY REVISION DESCRIPTION

ITEM DESCRIPTION: SHCSP206-18

REV 1:9

REV -

9 8 7 6 5 4 3 2 1

A B C D E F G