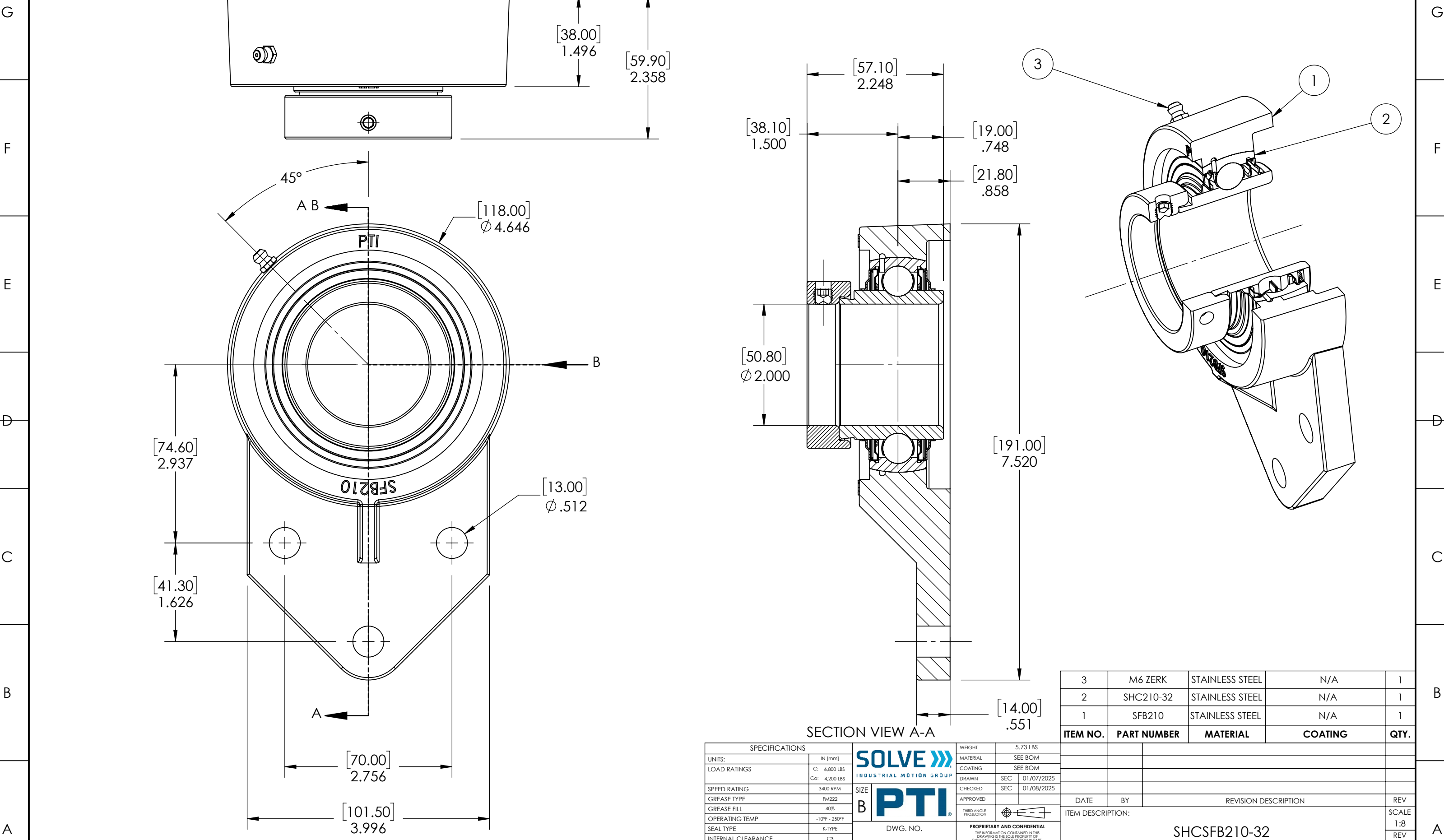


9 8 7 6 5 4 3 2 1



9 8 7 6 5 4 3 2 1

[74.60]
2.937

[41.30]
1.626

45°

A B

PTI

SFB210

A

[70.00]
2.756

[101.50]
3.996

[118.00]
Ø 4.646

[13.00]
Ø .512

[38.00]
1.496

[59.90]
2.358

[38.10]
1.500

[50.80]
Ø 2.000

[57.10]
2.248

[19.00]
.748

[21.80]
.858

[191.00]
7.520

[14.00]
.551

SECTION VIEW A-A

3	M6 ZERK	STAINLESS STEEL	N/A	1
2	SHC210-32	STAINLESS STEEL	N/A	1
1	SFB210	STAINLESS STEEL	N/A	1
ITEM NO.	PART NUMBER	MATERIAL	COATING	QTY.

SPECIFICATIONS	
UNITS:	IN (mm)
LOAD RATINGS	C: 6,800 LBS Co: 4,200 LBS
SPEED RATING	3400 RPM
GREASE TYPE	FM222
GREASE FILL	40%
OPERATING TEMP	-10°F - 250°F
SEAL TYPE	K-TYPE
INTERNAL CLEARANCE	C3
TORQUE SETTING ON SET SCREWS	



WEIGHT	5.73 LBS
MATERIAL	SEE BOM
COATING	SEE BOM
DRAWN	SEC 01/07/2025
CHECKED	SEC 01/08/2025
APPROVED	
THIRD ANGLE PROJECTION	
PROPRIETARY AND CONFIDENTIAL	THE INFORMATION CONTAINED IN THIS DRAWING IS THE SOLE PROPERTY OF SOLVE IMG. ANY REPRODUCTION IN PART OR AS A WHOLE WITHOUT THE WRITTEN PERMISSION OF SOLVE IMG IS PROHIBITED.

DATE	BY	REVISION DESCRIPTION	REV
ITEM DESCRIPTION:			SCALE
SHCSFB210-32			1:8
			REV
			-

G
F
E
D
C
B
A