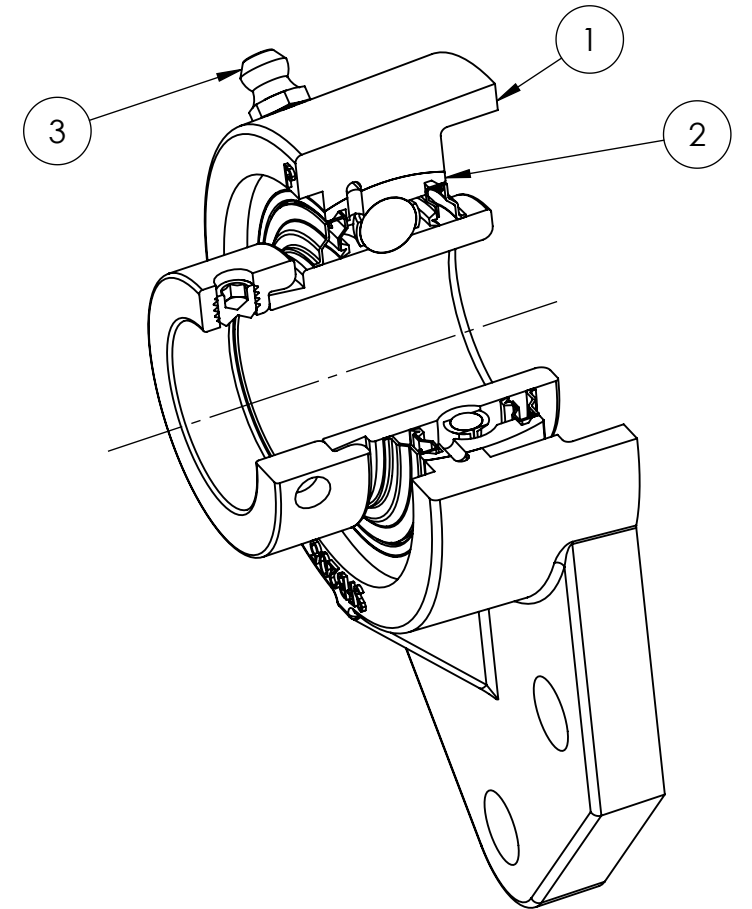
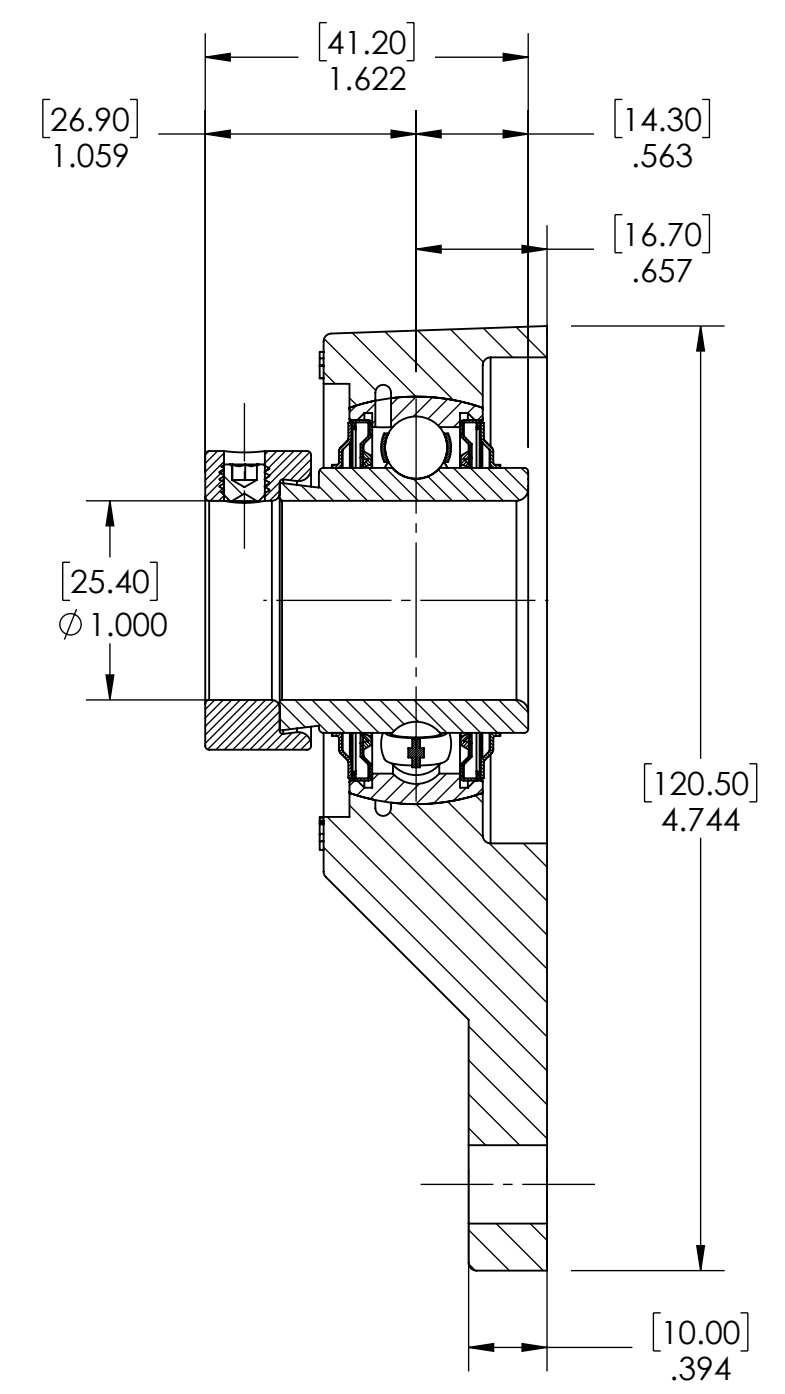
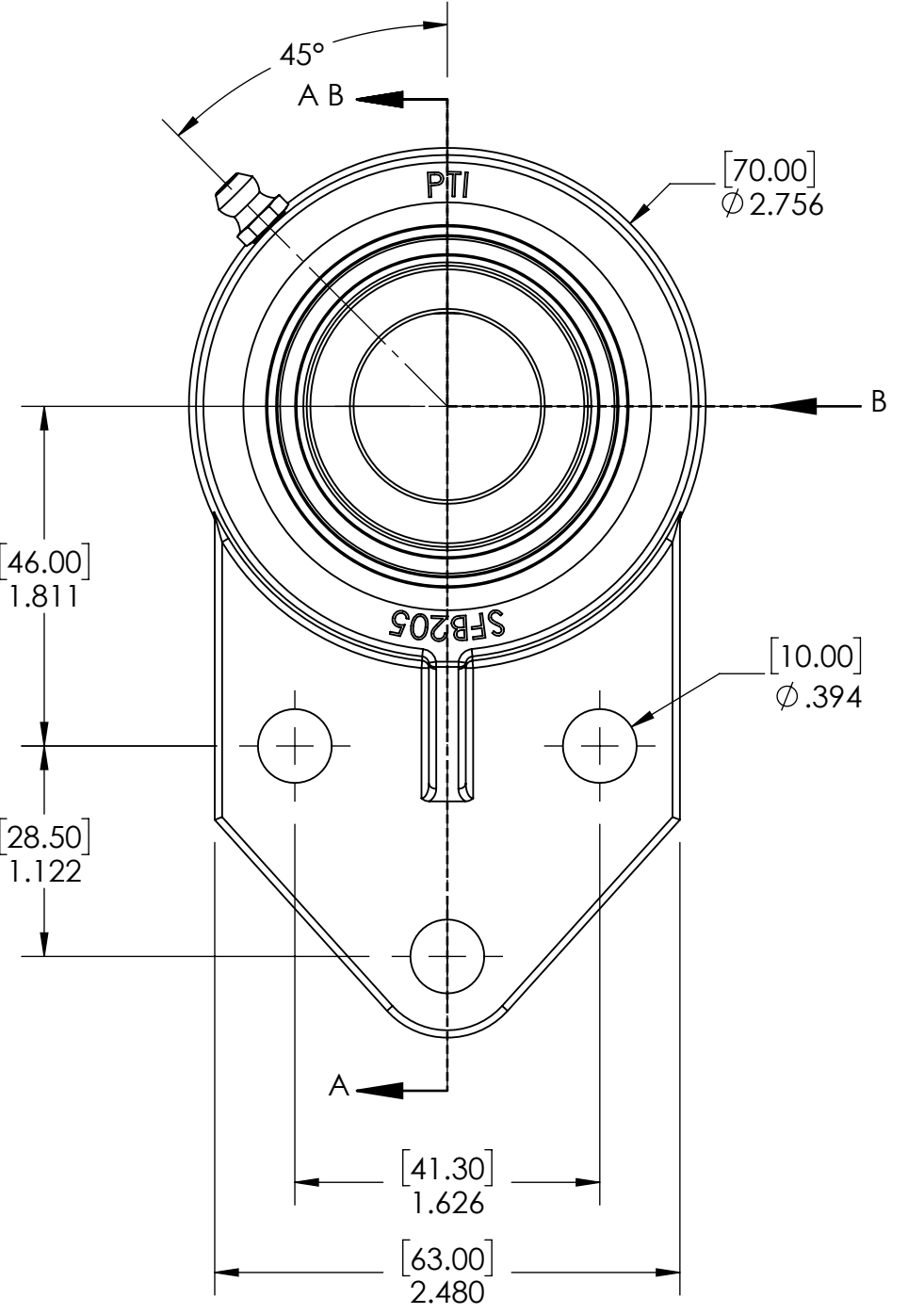
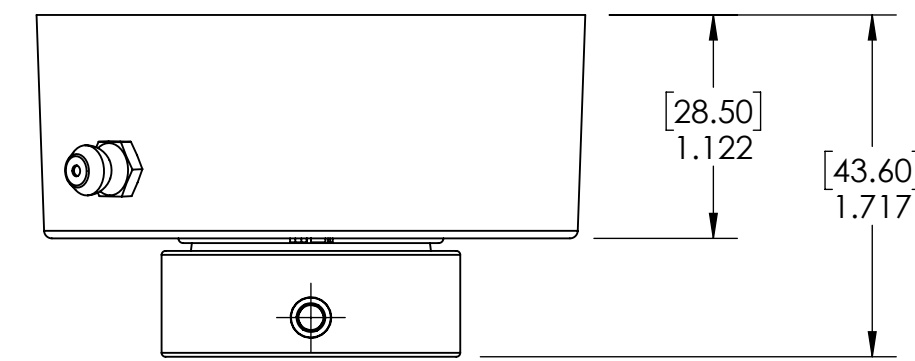


9 8 7 6 5 4 3 2 1

G F E D C B A

A B C D E F G

9 8 7 6 5 4 3 2 1



SECTION VIEW A-A

SPECIFICATIONS		WEIGHT	
UNITS:	IN (mm)		1.58 LBS
LOAD RATINGS	C: 2,600 LBS Co: 1,430 LBS	MATERIAL	SEE BOM
SPEED RATING	6250 RPM	COATING	SEE BOM
GREASE TYPE	FM222	DRAWN	SEC 01/07/2025
GREASE FILL	40%	CHECKED	SEC 01/08/2025
OPERATING TEMP	-10°F - 250°F	APPROVED	
SEAL TYPE	K-TYPE	THIRD ANGLE PROJECTION	
INTERNAL CLEARANCE	C3		
TORQUE SETTING ON SET SCREWS			

ITEM NO.	PART NUMBER	MATERIAL	COATING	QTY.
3	M6 ZERK	STAINLESS STEEL	N/A	1
2	SHC205-16	STAINLESS STEEL	N/A	1
1	SFB205	STAINLESS STEEL	N/A	1

**SOLVE** INDUSTRIAL MOTION GROUP  
**PTI**  
 DWG. NO. PROPRIETARY AND CONFIDENTIAL  
 THE INFORMATION CONTAINED IN THIS DRAWING IS THE SOLE PROPERTY OF SOLVE IMG. ANY REPRODUCTION IN PART OR AS A WHOLE WITHOUT THE WRITTEN PERMISSION OF SOLVE IMG IS PROHIBITED.

DATE	BY	REVISION DESCRIPTION	REV
ITEM DESCRIPTION: SHCSFB205-16			SCALE 1:12
			REV -