

9 8 7 6 5 4 3 2 1

G G

F F

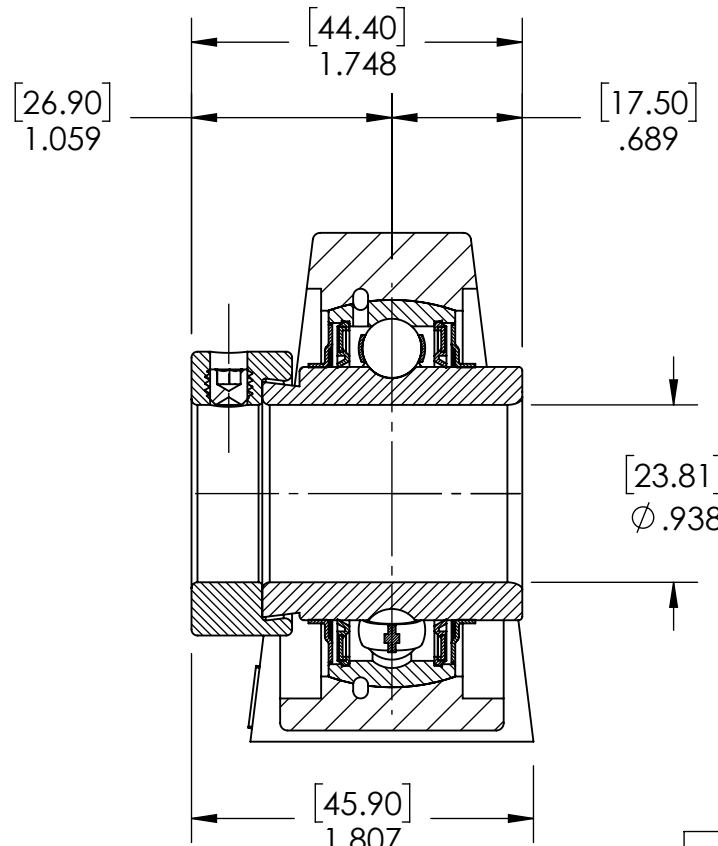
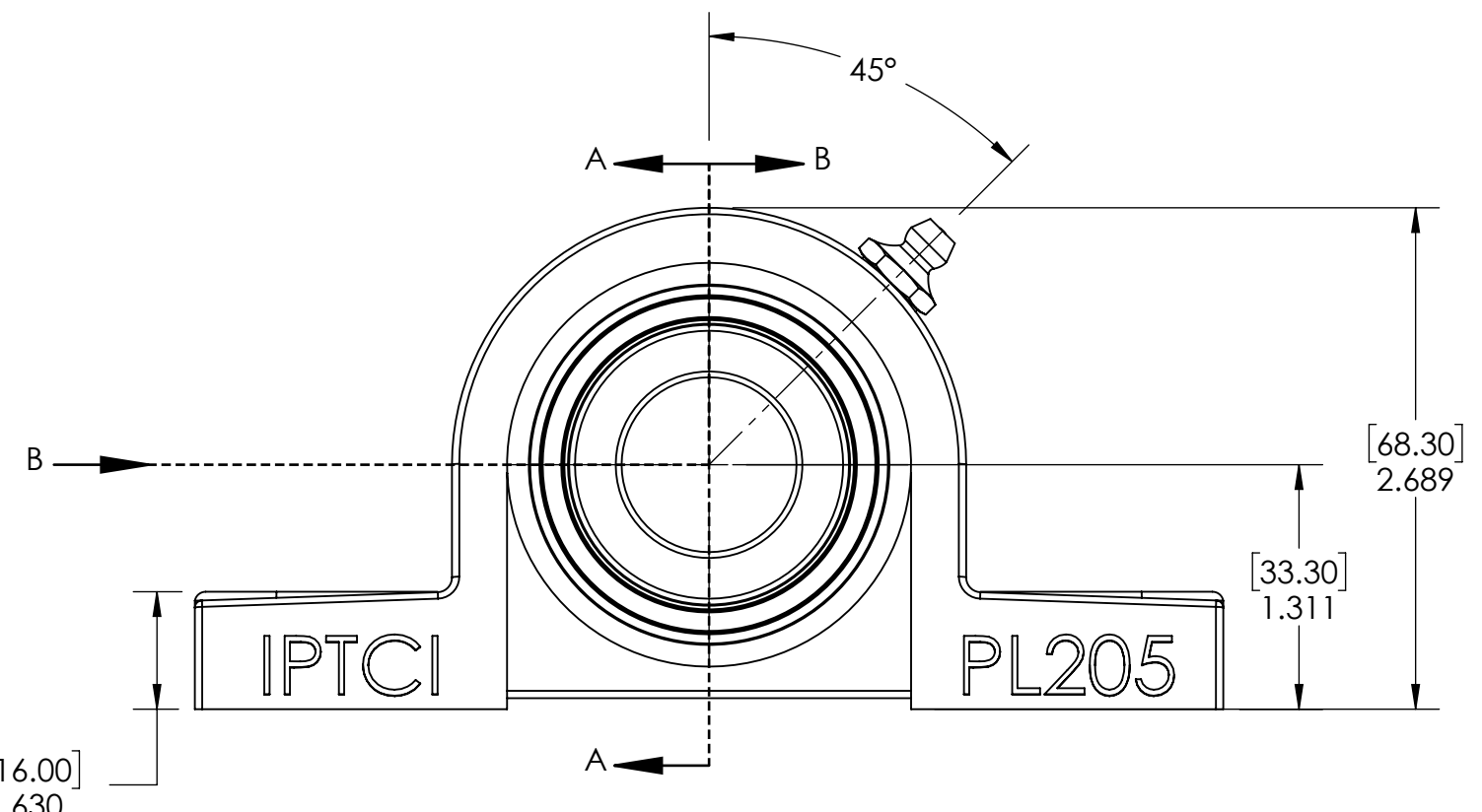
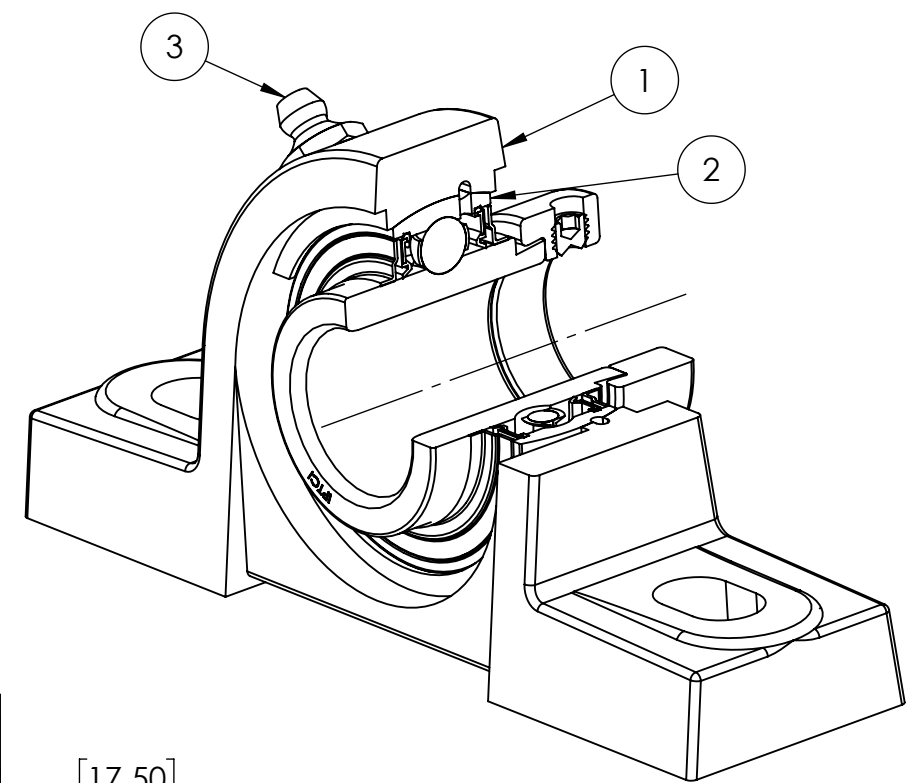
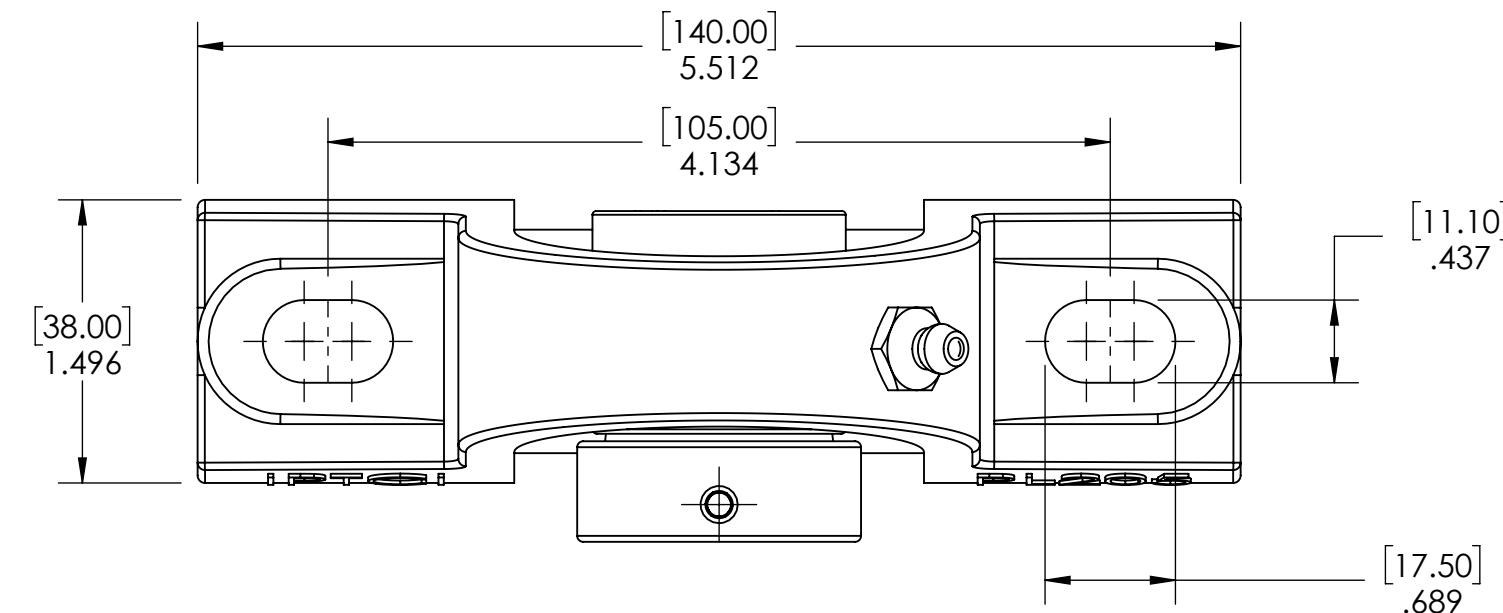
E E

D D

C C

B B

A A



SECTION VIEW A-A

ITEM NO.	PART NUMBER	MATERIAL	COATING	QTY.
3	1/8-27	STEEL	ZINC PLATED	1
2	NA205-15	BEARING STEEL	N/A	1
1	PL205	CAST IRON	POWDER COAT	1

SPECIFICATIONS	
UNITS:	IN (mm)
LOAD RATINGS	C: 3,010 LBS Co: 1,750 LBS
SPEED RATING	5850 RPM
GREASE TYPE	NLGI #2
GREASE FILL	45%
OPERATING TEMP	32°F - 200°F
SEAL TYPE	B-TYPE
INTERNAL CLEARANCE	C3
TORQUE SETTING ON SET SCREWS	

**SOLVE**  
INDUSTRIAL MOTION GROUP

SIZE **B**

**IPTCI**  
BEARINGS

DWG. NO.

WEIGHT	2.03
MATERIAL	SEE NOTES
COATING	SEE NOTES
DRAWN	SEC 12/16/2024
CHECKED	SEC 04/14/2025
APPROVED	

DATE	BY	REVISION DESCRIPTION	REV
ITEM DESCRIPTION: NAPL205-15			SCALE 1:11
			REV -

9 8 7 6 5 4 3 2 1