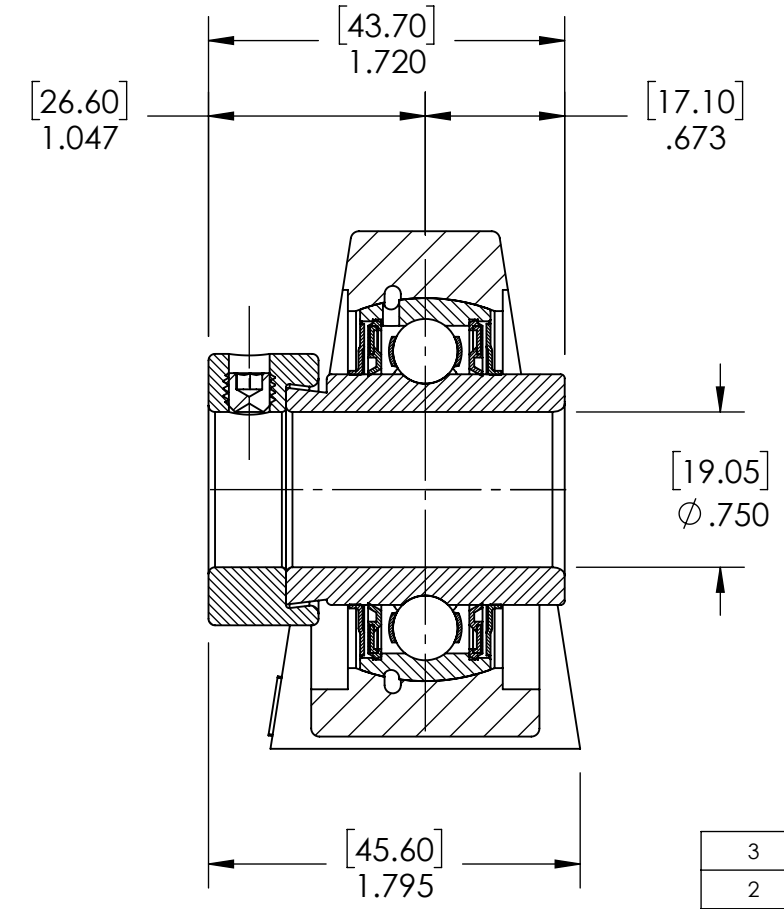
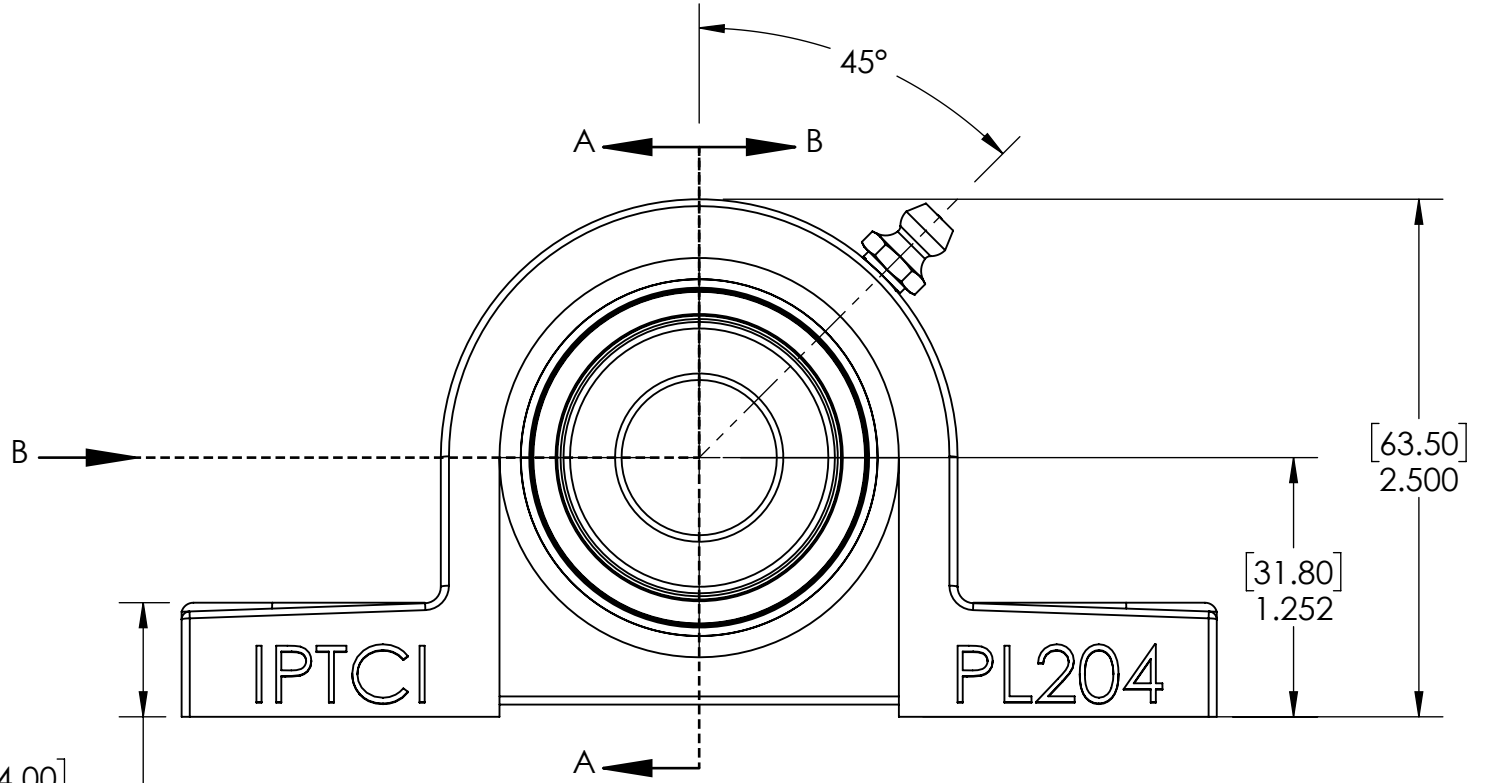
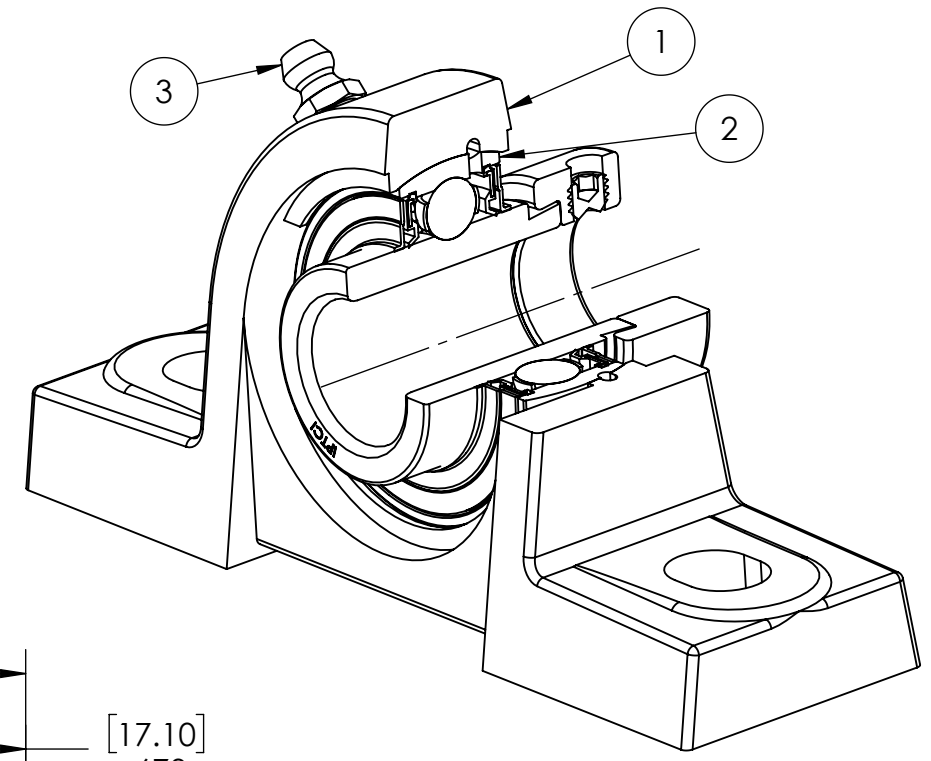
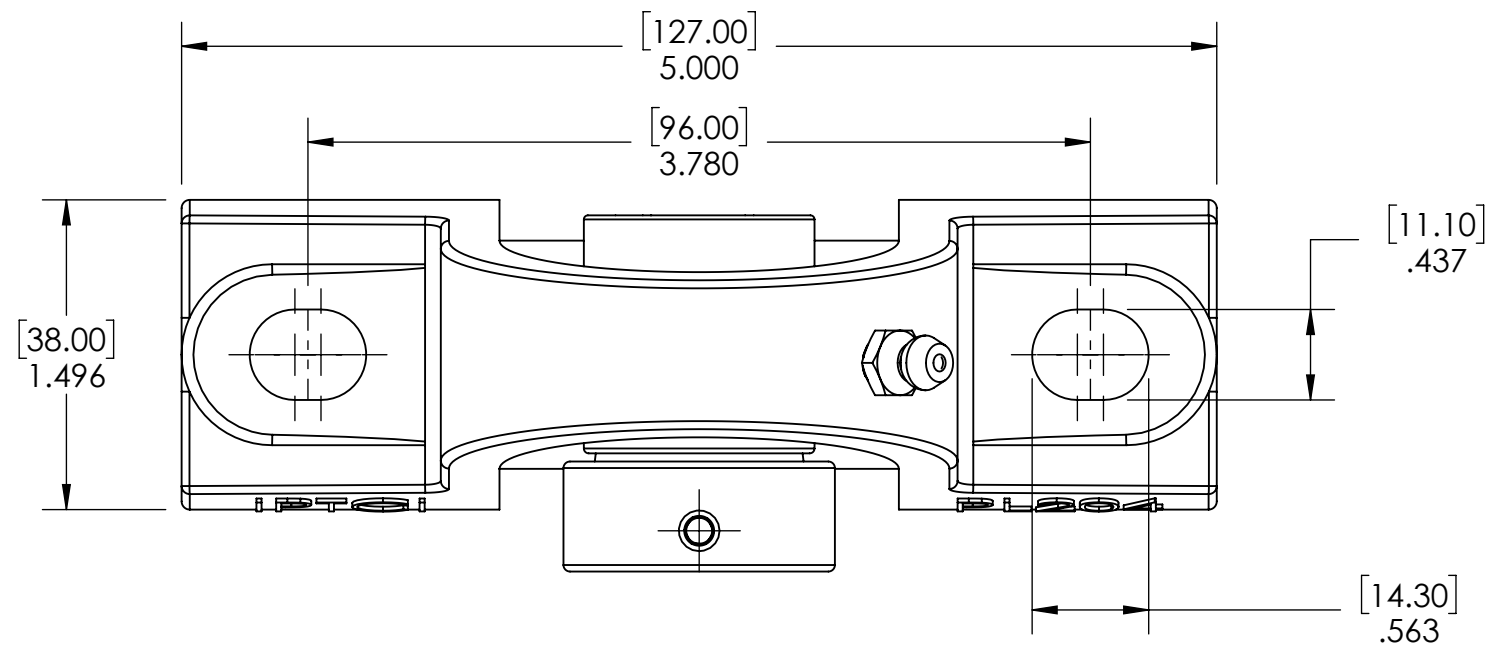


9 8 7 6 5 4 3 2 1

G  
F  
E  
D  
C  
B  
A

G  
F  
E  
D  
C  
B  
A



SECTION VIEW A-A

ITEM NO.	PART NUMBER	MATERIAL	COATING	QTY.
3	1/4-28	STEEL	ZINC PLATED	1
2	NA204-12	BEARING STEEL	N/A	1
1	PL204	CAST IRON	POWDER COAT	1

SPECIFICATIONS	
UNITS:	IN (mm)
LOAD RATINGS	C: 2,740 LBS Co: 1,600 LBS
SPEED RATING	6500 RPM
GREASE TYPE	NLGI #2
GREASE FILL	45%
OPERATING TEMP	32°F - 200°F
SEAL TYPE	B-TYPE
INTERNAL CLEARANCE	C3
TORQUE SETTING ON SET SCREWS	

**SOLVE**  
INDUSTRIAL MOTION GROUP

SIZE **B**  
**IPTCI**  
BEARINGS

DWG. NO.

WEIGHT	1.65
MATERIAL	SEE NOTES
COATING	SEE NOTES
DRAWN	SEC 12/16/2024
CHECKED	SEC 04/14/2025
APPROVED	

DATE	BY	REVISION DESCRIPTION	REV
ITEM DESCRIPTION: NAPL204-12			SCALE 1:11
			REV -

9 8 7 6 5 4 3 2 1