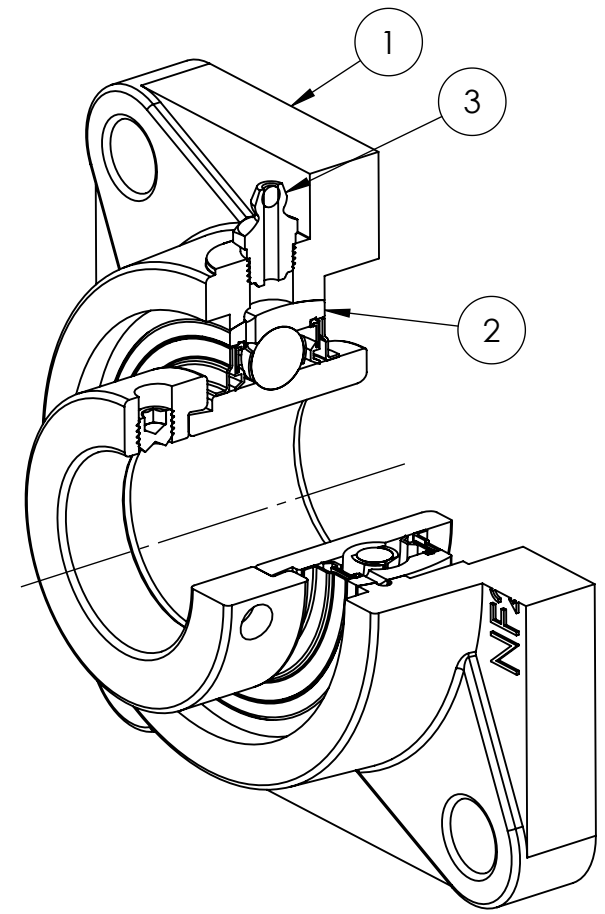


SECTION VIEW A-A



SPECIFICATIONS	
UNITS:	IN (mm)
LOAD RATINGS	C: 5.535 LBS Co: 3.340 LBS
SPEED RATING	4300 RPM
GREASE TYPE	NLGI #2
GREASE FILL	45%
OPERATING TEMP	32°F - 200°F
SEAL TYPE	B-TYPE
INTERNAL CLEARANCE	C3
TORQUE SETTING ON SET SCREWS	

SOLVE INDUSTRIAL MOTION GROUP

SIZE **B** **IPTCI** BEARINGS

DWG. NO.

WEIGHT	4.24 LBS
MATERIAL	SEE NOTES
COATING	SEE NOTES
DRAWN	SEC 12/16/2024
CHECKED	04/14/2025
APPROVED	
THIRD ANGLE PROJECTION	
<small>PROPRIETARY AND CONFIDENTIAL THE INFORMATION CONTAINED IN THIS DRAWING IS THE SOLE PROPERTY OF SOLVE IMG. ANY REPRODUCTION IN PART OR AS A WHOLE WITHOUT THE WRITTEN PERMISSION OF SOLVE IMG IS PROHIBITED.</small>	

3	1/8-27	STEEL	ZINC PLATED	1
2	NA207-22	BEARING STEEL	N/A	1
1	NF207	CAST IRON	POWDER COAT	1
ITEM NO.	PART NUMBER	MATERIAL	COATING	QTY.

DATE	BY	REVISION DESCRIPTION	REV
ITEM DESCRIPTION: NANF207-22			SCALE 1:10
			REV -