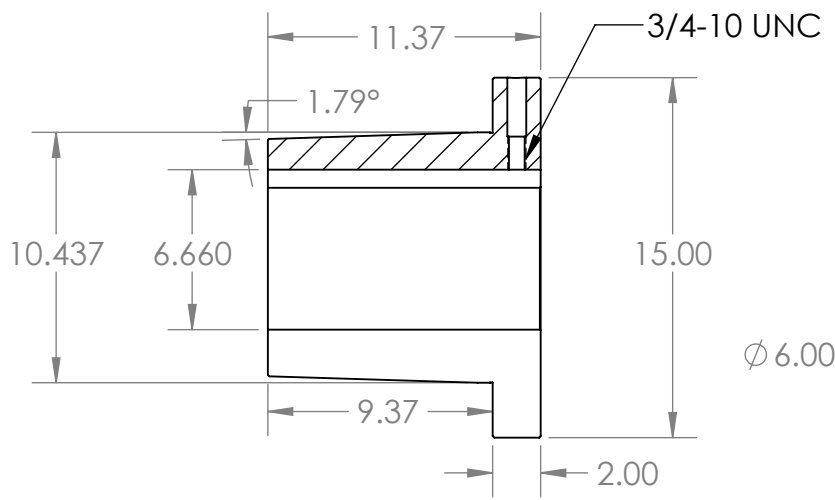
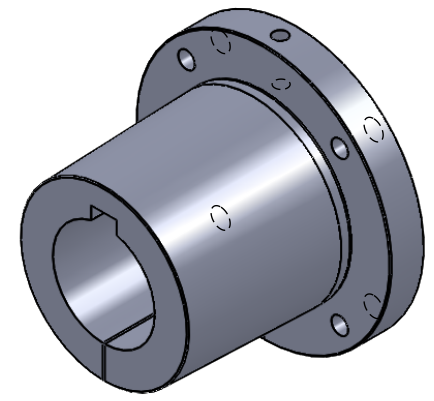


2

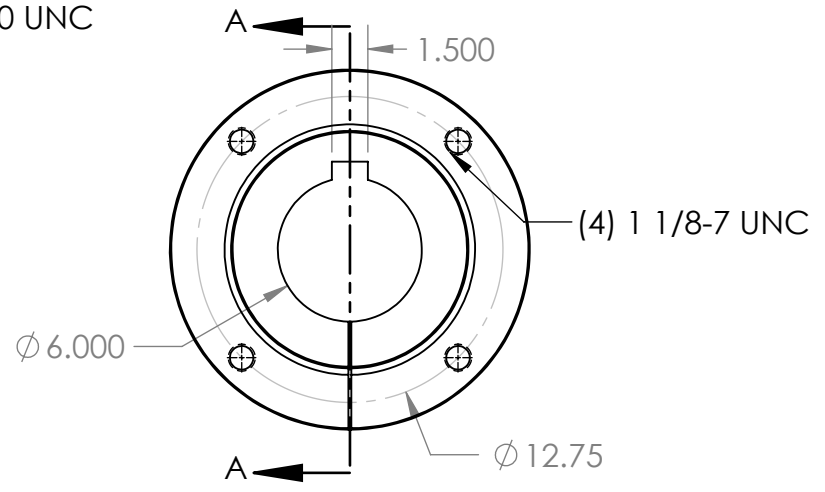
1

B

B



SECTION A-A



A

A

|                                                                                                                                                                                                                                              |             |         |                                      |            |               |              |           |  |
|----------------------------------------------------------------------------------------------------------------------------------------------------------------------------------------------------------------------------------------------|-------------|---------|--------------------------------------|------------|---------------|--------------|-----------|--|
| <p><b>PROPRIETARY AND CONFIDENTIAL</b><br/>THE INFORMATION CONTAINED IN THIS DRAWING IS THE SOLE PROPERTY OF MASTERDRIVE, INC. ANY REPRODUCTION IN PART OR AS A WHOLE WITHOUT THE WRITTEN PERMISSION OF MASTERDRIVE, INC. IS PROHIBITED.</p> |             |         | INTERPRET GEOMETRIC TOLERANCING PER: | DRAWN      | NAME          | DATE         |           |  |
|                                                                                                                                                                                                                                              |             |         | MATERIAL                             | CHECKED    | EDG           | 08/17/20     |           |  |
|                                                                                                                                                                                                                                              |             |         | HT200 (Cast Iron)                    | ENG APPR.  |               |              |           |  |
|                                                                                                                                                                                                                                              |             |         | FINISH                               | MFG APPR.  |               |              |           |  |
|                                                                                                                                                                                                                                              |             |         | Black Phosphate                      | Q.A.       |               |              |           |  |
|                                                                                                                                                                                                                                              | NEXT ASSY   | USED ON | COMMENTS:                            |            |               |              | TITLE:    |  |
|                                                                                                                                                                                                                                              |             |         |                                      |            |               |              | <b>W6</b> |  |
|                                                                                                                                                                                                                                              | APPLICATION |         | DO NOT SCALE DRAWING                 | SIZE       | DWG. NO.      | REV          |           |  |
|                                                                                                                                                                                                                                              |             |         |                                      | <b>A</b>   | <b>W6.000</b> |              |           |  |
|                                                                                                                                                                                                                                              |             |         |                                      | SCALE: 1:8 | WEIGHT:       | SHEET 1 OF 1 |           |  |

2

1