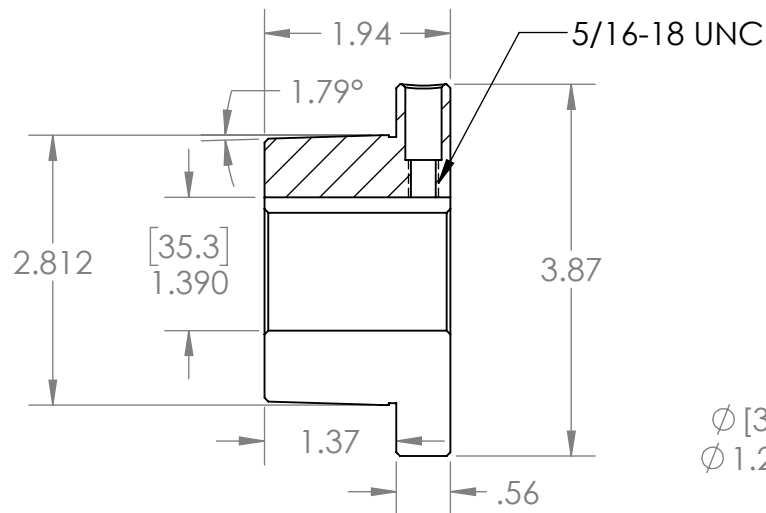
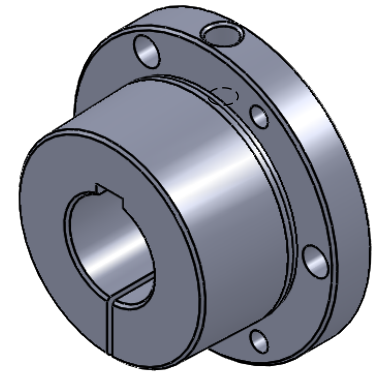


2

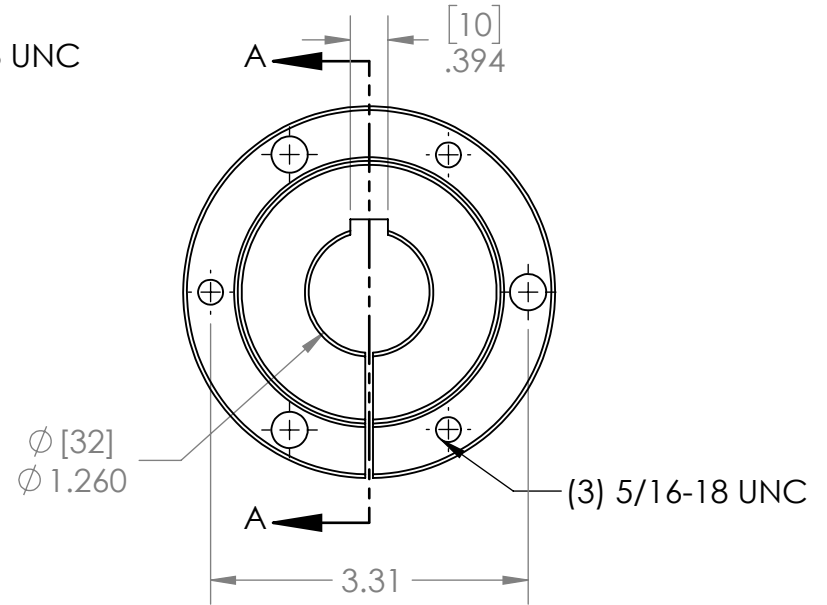
1

B

B



SECTION A-A



A

A

<p><b>PROPRIETARY AND CONFIDENTIAL</b> THE INFORMATION CONTAINED IN THIS DRAWING IS THE SOLE PROPERTY OF MASTERDRIVE, INC. ANY REPRODUCTION IN PART OR AS A WHOLE WITHOUT THE WRITTEN PERMISSION OF MASTERDRIVE, INC. IS PROHIBITED.</p>			INTERPRET GEOMETRIC TOLERANCING PER:	DRAWN	NAME	DATE			
			MATERIAL	CHECKED	EDG	08/21/20		TITLE:	
			FINISH	ENG APPR.					SK32MM
	NEXT ASSY	USED ON	Black Phosphate	MFG APPR.					SIZE DWG. NO. REV
				COMMENTS:					<b>A</b> SK32MM
APPLICATION			DO NOT SCALE DRAWING				SCALE: 1:2 WEIGHT: SHEET 1 OF 1		

2

1