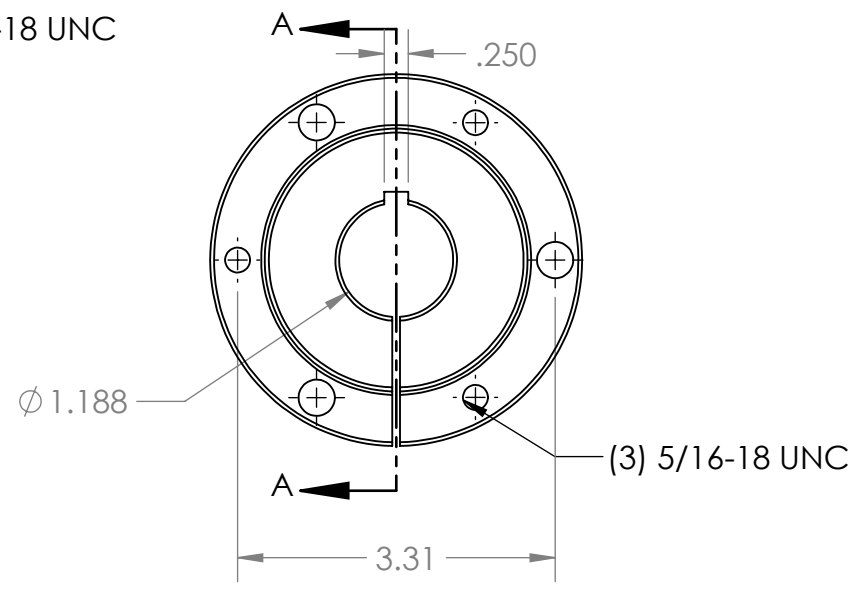
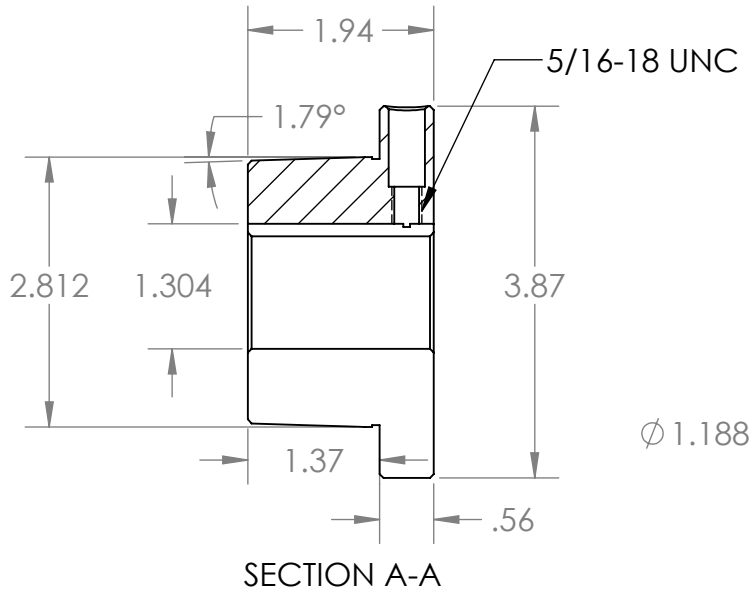
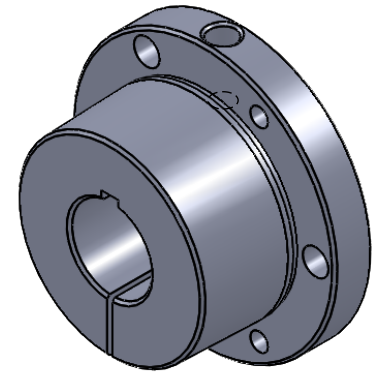


2

1

B

B



A

A

| | | | | | | | | | |
|--|--|--|--|--|-----------|--------------|------------|----------|--------------|
| <p>PROPRIETARY AND CONFIDENTIAL THE INFORMATION CONTAINED IN THIS DRAWING IS THE SOLE PROPERTY OF MASTERDRIVE, INC. ANY REPRODUCTION IN PART OR AS A WHOLE WITHOUT THE WRITTEN PERMISSION OF MASTERDRIVE, INC. IS PROHIBITED.</p> | | | | | NAME | DATE | | | |
| | | | | | DRAWN | EDG 08/21/20 | | | |
| | | | | | CHECKED | | | | |
| | | | | | ENG APPR. | | | | |
| | | | | | MFG APPR. | | | | |
| | | | | | | | TITLE: | | |
| | | | | | | | SK1.3/16 | | |
| | | | | | | | SIZE | DWG. NO. | REV |
| | | | | | | | A | SK1.188 | |
| | | | | | | | SCALE: 1:2 | WEIGHT: | SHEET 1 OF 1 |

2

1

| | | | |
|--|--|--|--------------------------------------|
| | | | INTERPRET GEOMETRIC TOLERANCING PER: |
| | | | MATERIAL |
| | | | QT450-10 (Ductile Iron) |
| | | | FINISH |
| | | | Black Phosphate |
| | | | DO NOT SCALE DRAWING |

| | |
|-------------|---------|
| NEXT ASSY | USED ON |
| APPLICATION | |