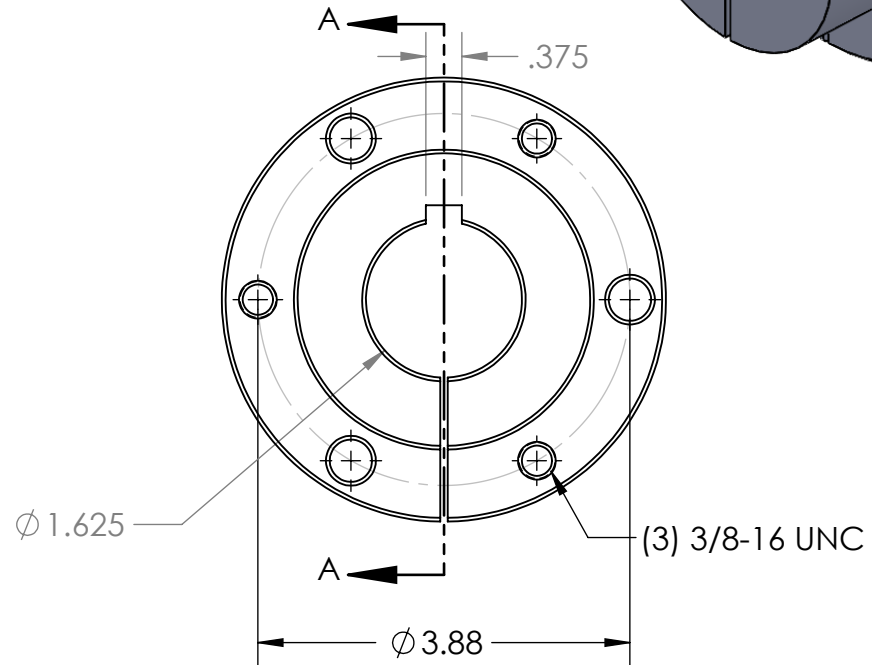
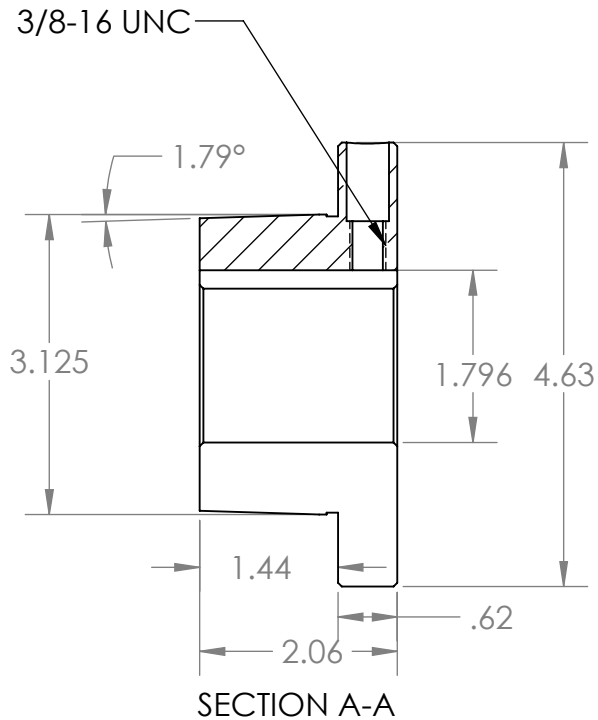
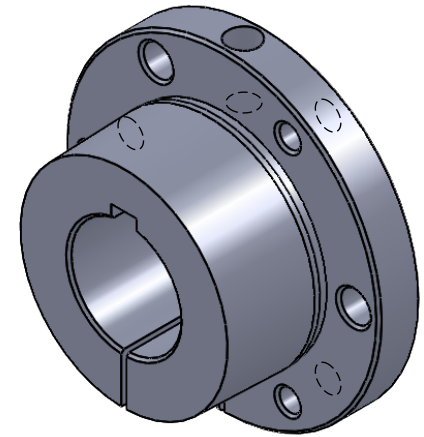


2

1

B

B



A

A

			NAME	DATE
			EDG	04/07/20
			CHECKED	
			ENG APPR.	
			MFG APPR.	
			Q.A.	
			COMMENTS:	
		INTERPRET GEOMETRIC TOLERANCING PER:		
		MATERIAL	QT450-10 (Ductile Iron)	
		FINISH	Black Phosphate	
	NEXT ASSY	USED ON		
	APPLICATION		DO NOT SCALE DRAWING	



TITLE:		
SF1.5/8		
SIZE	DWG. NO.	REV
A	SF1.625	
SCALE: 1:2	WEIGHT:	SHEET 1 OF 1

PROPRIETARY AND CONFIDENTIAL
 THE INFORMATION CONTAINED IN THIS DRAWING IS THE SOLE PROPERTY OF <INSERT COMPANY NAME HERE>. ANY REPRODUCTION IN PART OR AS A WHOLE WITHOUT THE WRITTEN PERMISSION OF <INSERT COMPANY NAME HERE> IS PROHIBITED.

2

1