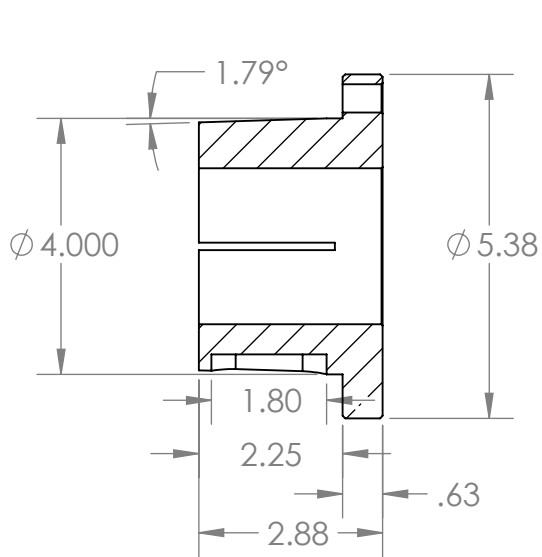
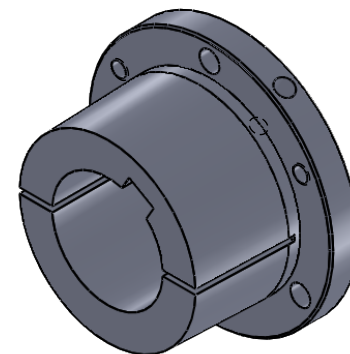


2

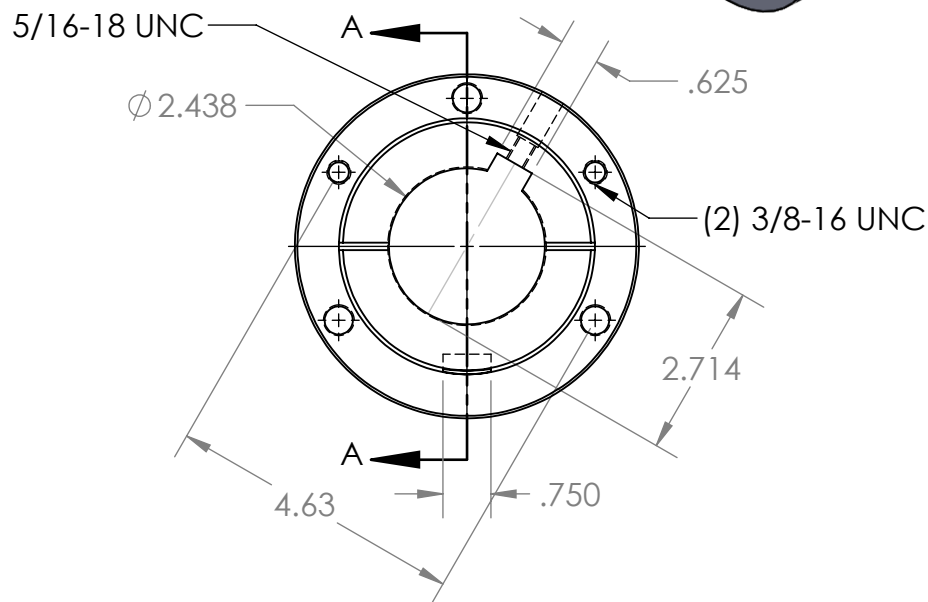
1

B

B



SECTION A-A



A

A

| | | | | | |
|-----------|---------|--------------------------------------|-------------------------|------|----------|
| | | | | NAME | DATE |
| | | | DRAWN | EDG | 01/21/21 |
| | | | CHECKED | | |
| | | | ENG APPR. | | |
| | | | MFG APPR. | | |
| | | | Q.A. | | |
| | | | COMMENTS: | | |
| | | INTERPRET GEOMETRIC TOLERANCING PER: | | | |
| | | MATERIAL | QT450-10 (Ductile Iron) | | |
| | | FINISH | Black Phosphate | | |
| NEXT ASSY | USED ON | APPLICATION | DO NOT SCALE DRAWING | | |



| | | |
|------------|----------|--------------|
| TITLE: | | |
| R1-2.7/16 | | |
| SIZE | DWG. NO. | REV |
| A | R1-2.438 | |
| SCALE: 1:3 | WEIGHT: | SHEET 1 OF 1 |

PROPRIETARY AND CONFIDENTIAL
 THE INFORMATION CONTAINED IN THIS DRAWING IS THE SOLE PROPERTY OF MASTERDRIVE, INC. ANY REPRODUCTION IN PART OR AS A WHOLE WITHOUT THE WRITTEN PERMISSION OF MASTERDRIVE, INC. IS PROHIBITED.

2

1