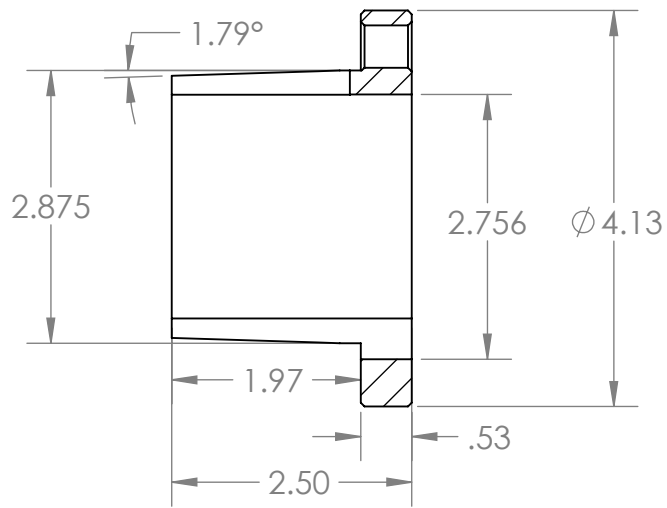
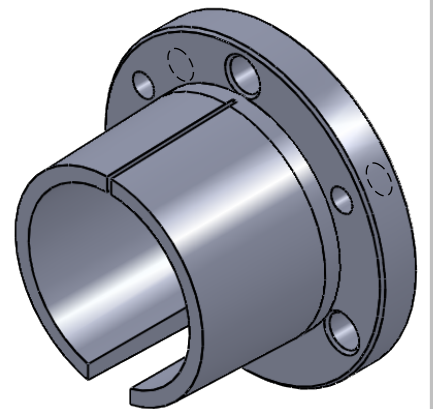


2

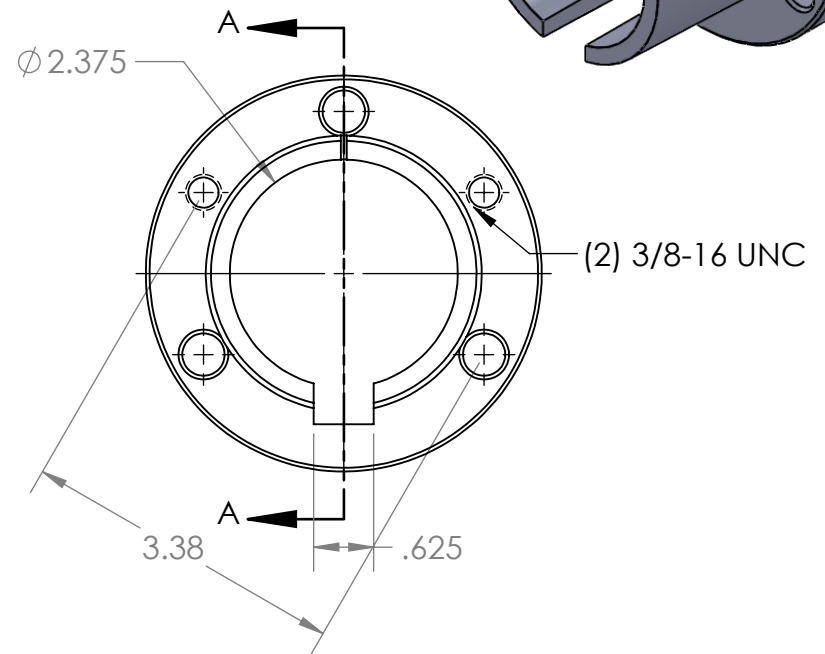
1

B

B



SECTION A-A



A

A

<p>PROPRIETARY AND CONFIDENTIAL THE INFORMATION CONTAINED IN THIS DRAWING IS THE SOLE PROPERTY OF MASTERDRIVE, INC. ANY REPRODUCTION IN PART OR AS A WHOLE WITHOUT THE WRITTEN PERMISSION OF MASTERDRIVE, INC. IS PROHIBITED.</p>					NAME	DATE		
					DRAWN	EDG		01/18/21
					CHECKED			
					ENG APPR.			
					MFG APPR.			
					Q.A.		<p>TITLE:</p> <h1>Q1-2.3/8</h1>	
				COMMENTS:				
							<p>SIZE DWG. NO. REV</p> <p>A Q1-2.375</p>	
							<p>SCALE: 1:2 WEIGHT: SHEET 1 OF 1</p>	

2

1

INTERPRET GEOMETRIC TOLERANCING PER:

MATERIAL
QT450-10 (Ductile Iron)

FINISH
Black Phosphate

APPLICATION DO NOT SCALE DRAWING

NEXT ASSY USED ON