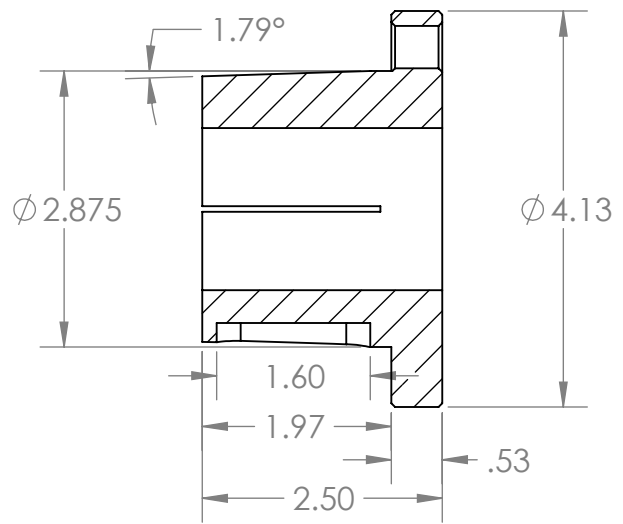
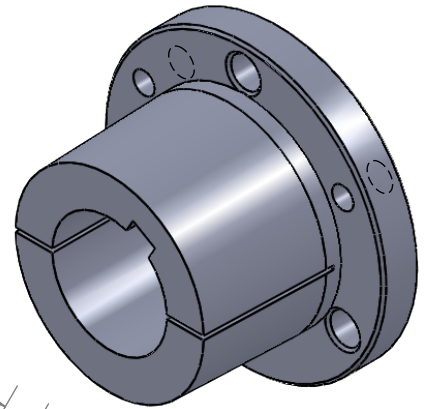


2

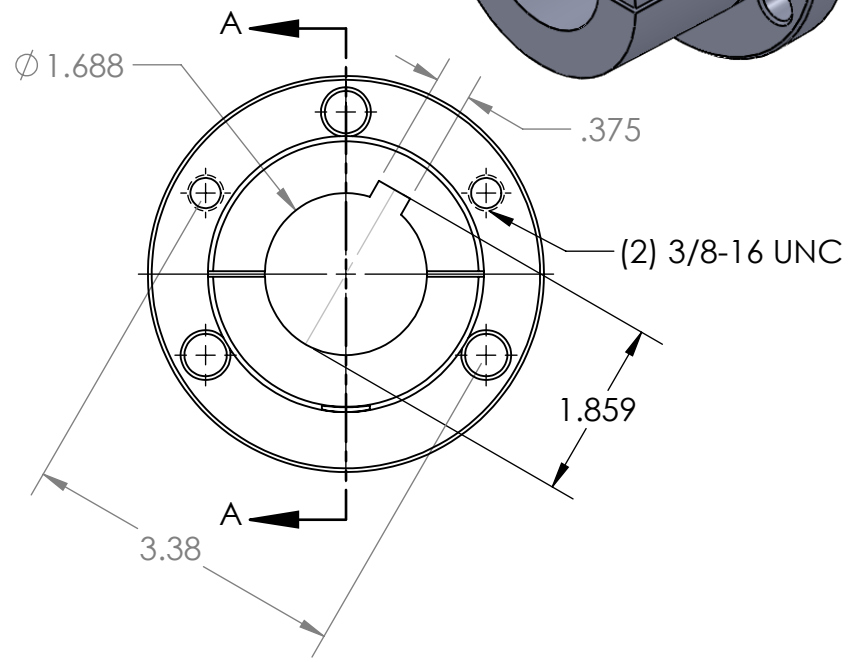
1

B

B



SECTION A-A



A

A

| | | | | | | | | | |
|--|-------------|---------|--------------------------------------|--|-----------|--------------|------------|-------------------|--------------|
| <p>PROPRIETARY AND CONFIDENTIAL THE INFORMATION CONTAINED IN THIS DRAWING IS THE SOLE PROPERTY OF MASTERDRIVE, INC. ANY REPRODUCTION IN PART OR AS A WHOLE WITHOUT THE WRITTEN PERMISSION OF MASTERDRIVE, INC. IS PROHIBITED.</p> | | | | | NAME | DATE | | | |
| | | | | | DRAWN | EDG 01/15/21 | | | |
| | | | | | CHECKED | | | TITLE: | |
| | | | | | ENG APPR. | | | Q1-1.11/16 | |
| | | | | | MFG APPR. | | | SIZE | DWG. NO. |
| | | | | | Q.A. | | A | Q1-1.688 | |
| | | | | | COMMENTS: | | SCALE: 1:2 | WEIGHT: | SHEET 1 OF 1 |
| | NEXT ASSY | USED ON | INTERPRET GEOMETRIC TOLERANCING PER: | | | | | | |
| | | | MATERIAL | | | | | | |
| | | | QT450-10 (Ductile Iron) | | | | | | |
| | | | FINISH | | | | | | |
| | | | Black Phosphate | | | | | | |
| | APPLICATION | | DO NOT SCALE DRAWING | | | | | | |

2

1