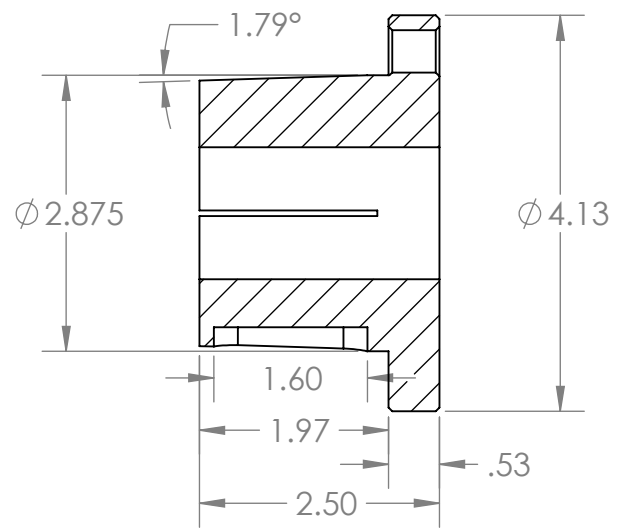
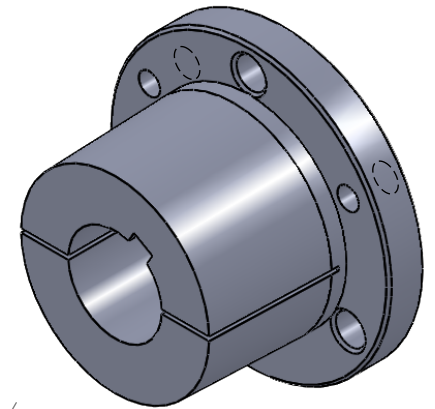


2

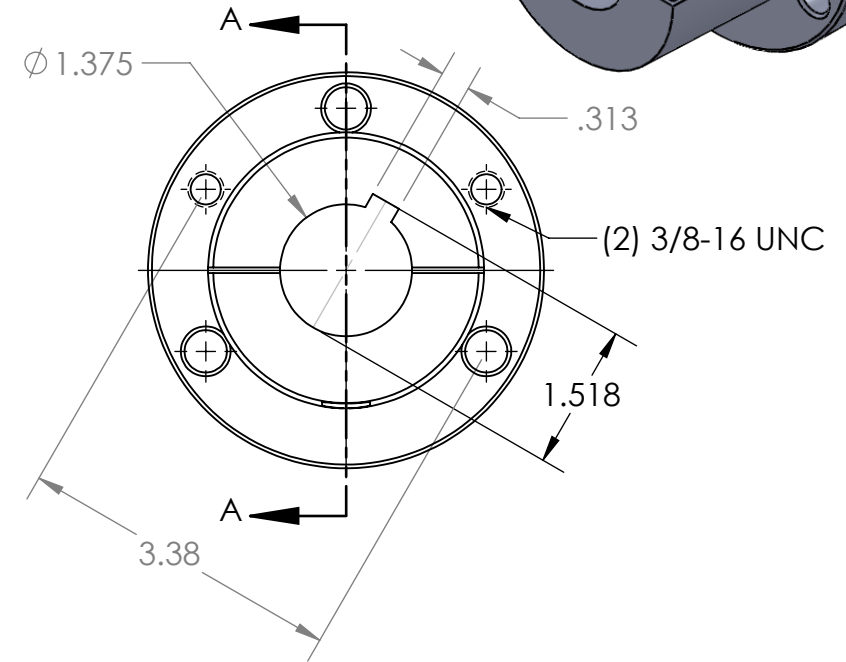
1

B

B



SECTION A-A



A

A

<p>PROPRIETARY AND CONFIDENTIAL THE INFORMATION CONTAINED IN THIS DRAWING IS THE SOLE PROPERTY OF MASTERDRIVE, INC. ANY REPRODUCTION IN PART OR AS A WHOLE WITHOUT THE WRITTEN PERMISSION OF MASTERDRIVE, INC. IS PROHIBITED.</p>					NAME	DATE			
					DRAWN	EDG		01/15/21	
					CHECKED				
					ENG APPR.				
					MFG APPR.				
					Q.A.		TITLE:		
					COMMENTS:		Q1-1.3/8		
							SIZE	DWG. NO.	REV
							A	Q1-1.375	
							SCALE: 1:2	WEIGHT:	SHEET 1 OF 1

INTERPRET GEOMETRIC TOLERANCING PER:
 MATERIAL
QT450-10 (Ductile Iron)
 FINISH
Black Phosphate
 APPLICATION
 DO NOT SCALE DRAWING

2

1