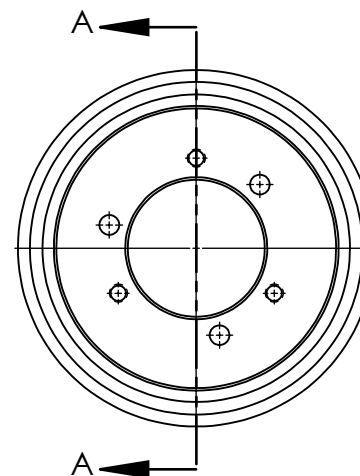
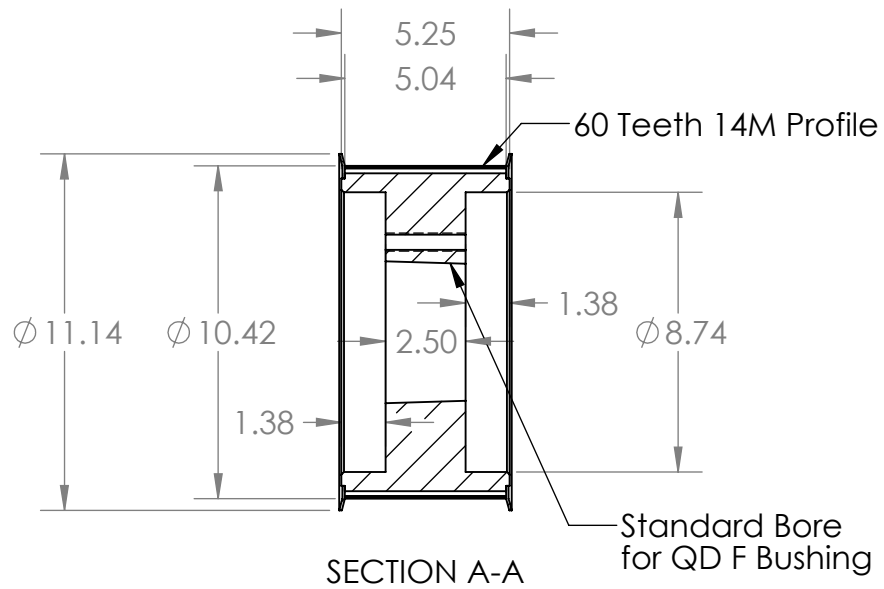
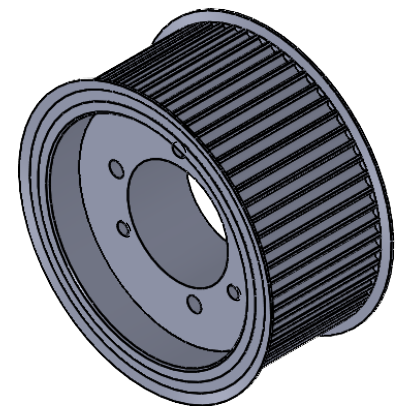


2

1

B

B



A

A

<p><b>PROPRIETARY AND CONFIDENTIAL</b></p> <p>THE INFORMATION CONTAINED IN THIS DRAWING IS THE SOLE PROPERTY OF MASTERDRIVE, INC. ANY REPRODUCTION IN PART OR AS A WHOLE WITHOUT THE WRITTEN PERMISSION OF MASTERDRIVE, INC. IS PROHIBITED.</p>					NAME	DATE	<p>TITLE: <b>P60-14M-115-F</b></p>	
					DRAWN	EDG 01/06/22		
					CHECKED			
					ENG APPR.			
					MFG APPR.			
					Q.A.			
					COMMENTS:			
				INTERPRET GEOMETRIC TOLERANCING PER:				
				MATERIAL				
				HT200 (Cast Iron)				
				FINISH				
				Grey Paint				
	NEXT ASSY	USED ON			SIZE	DWG. NO.	REV	
					<b>A</b>	P60-14M-115-F		
	APPLICATION			DO NOT SCALE DRAWING	SCALE: 1:6	WEIGHT:	SHEET 1 OF 1	

2

1