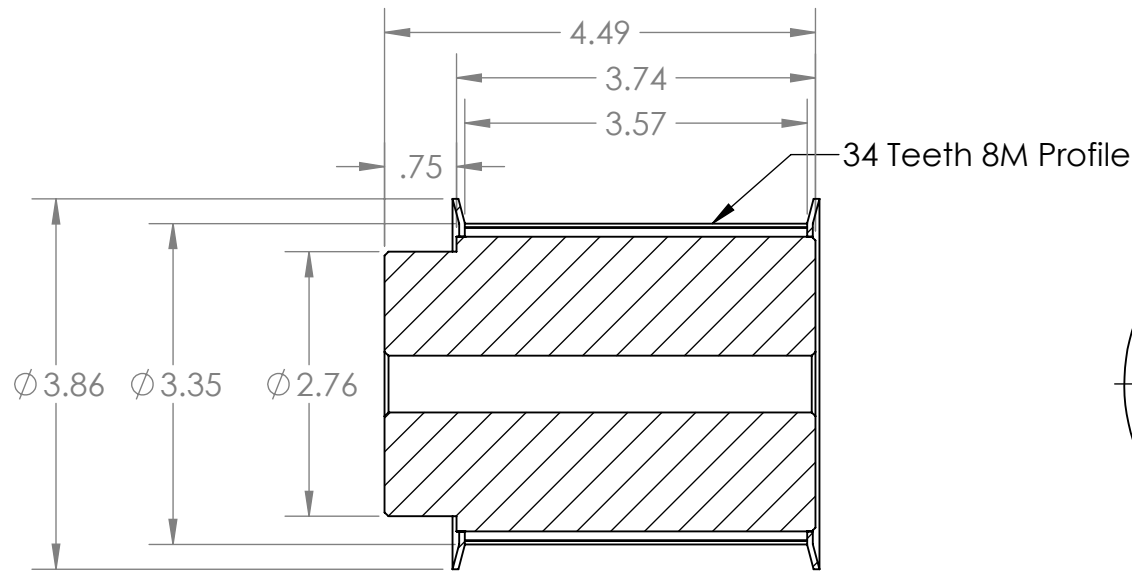
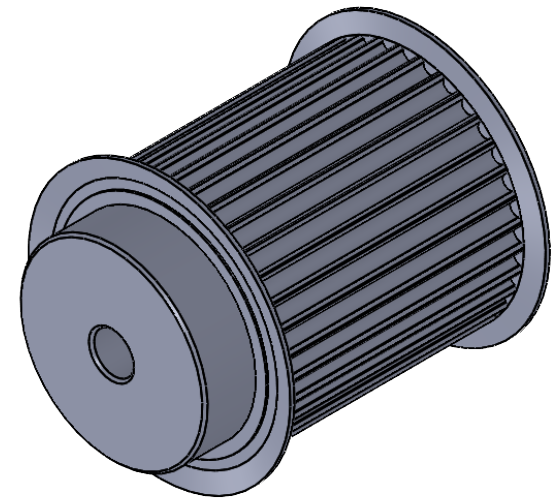


2

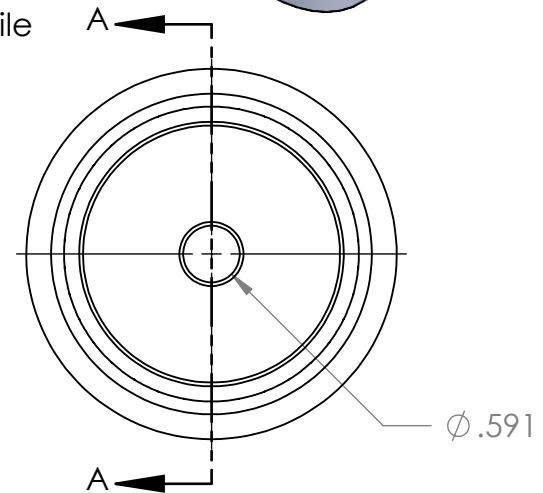
1

B

B



SECTION A-A



A

A

PROPRIETARY AND CONFIDENTIAL
 THE INFORMATION CONTAINED IN THIS DRAWING IS THE SOLE PROPERTY OF MASTERDRIVE, INC. ANY REPRODUCTION IN PART OR AS A WHOLE WITHOUT THE WRITTEN PERMISSION OF MASTERDRIVE, INC. IS PROHIBITED.

| | | | | | | |
|-------------|---------|--|--------------------------------------|-----------|------|----------|
| | | | INTERPRET GEOMETRIC TOLERANCING PER: | DRAWN | NAME | DATE |
| | | | MATERIAL | CHECKED | EDG | 12/21/21 |
| | | | HT200 (Cast Iron) | ENG APPR. | | |
| | | | FINISH | MFG APPR. | | |
| | | | Grey Paint | Q.A. | | |
| | | | | COMMENTS: | | |
| NEXT ASSY | USED ON | | | | | |
| APPLICATION | | | DO NOT SCALE DRAWING | | | |



TITLE:
P34-8M-85-PB

SIZE DWG. NO. REV
A P34-8M-85-PB

SCALE: 1:2 WEIGHT: SHEET 1 OF 1

2

1