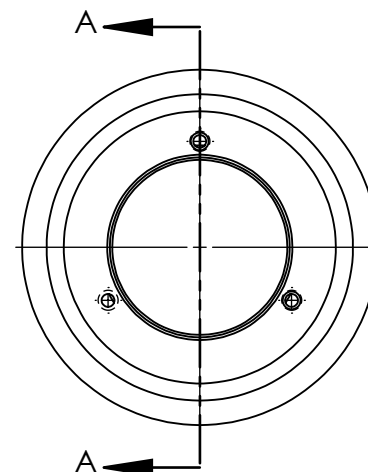
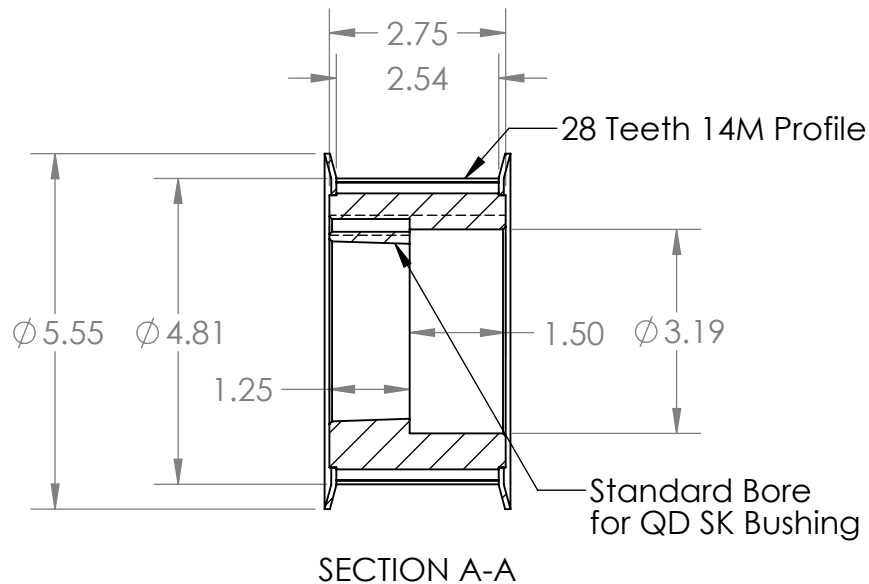
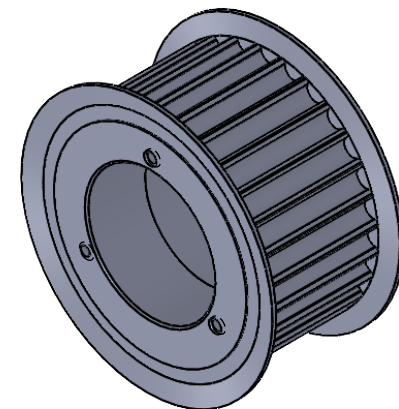


2

1

B

B



SECTION A-A

A

A

**PROPRIETARY AND CONFIDENTIAL**  
 THE INFORMATION CONTAINED IN THIS DRAWING IS THE SOLE PROPERTY OF MASTERDRIVE, INC. ANY REPRODUCTION IN PART OR AS A WHOLE WITHOUT THE WRITTEN PERMISSION OF MASTERDRIVE, INC. IS PROHIBITED.

|             |         |  |                                      |           |              |
|-------------|---------|--|--------------------------------------|-----------|--------------|
|             |         |  |                                      | NAME      | DATE         |
|             |         |  |                                      | DRAWN     | EDG 12/29/21 |
|             |         |  |                                      | CHECKED   |              |
|             |         |  |                                      | ENG APPR. |              |
|             |         |  |                                      | MFG APPR. |              |
|             |         |  |                                      | Q.A.      |              |
|             |         |  |                                      | COMMENTS: |              |
|             |         |  | INTERPRET GEOMETRIC TOLERANCING PER: |           |              |
|             |         |  | MATERIAL                             |           |              |
|             |         |  | HT200 (Cast Iron)                    |           |              |
|             |         |  | FINISH                               |           |              |
|             |         |  | Grey Paint                           |           |              |
| NEXT ASSY   | USED ON |  |                                      |           |              |
| APPLICATION |         |  | DO NOT SCALE DRAWING                 |           |              |



TITLE:  
**P28-14M-55-SK**

SIZE DWG. NO. REV  
**A** P28-14M-55-SK

SCALE: 1:3 WEIGHT: SHEET 1 OF 1

2

1