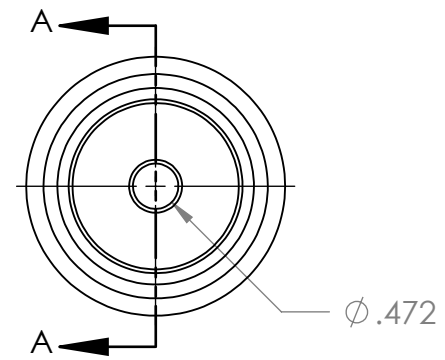
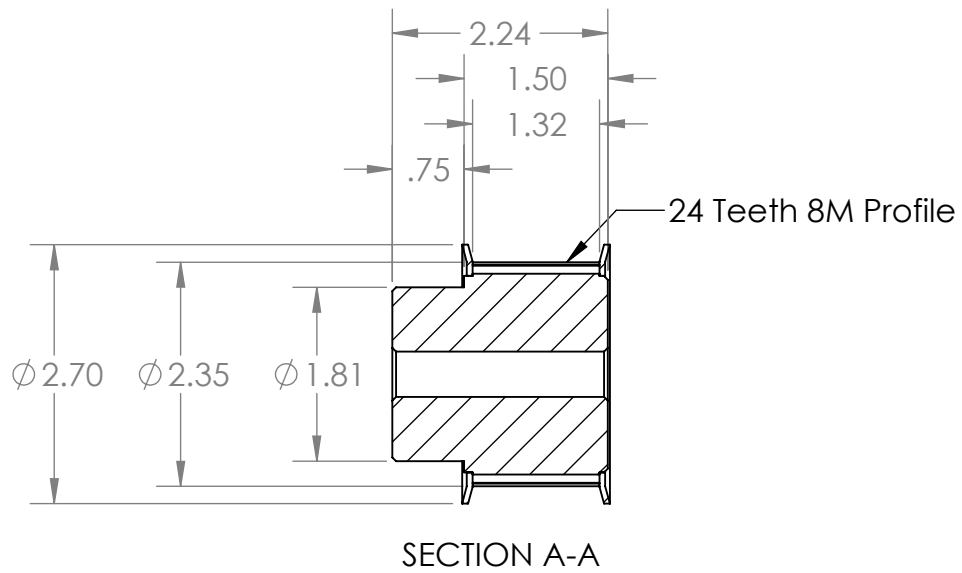
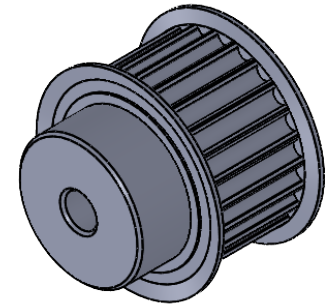


2

1

B

B



A

A

PROPRIETARY AND CONFIDENTIAL
 THE INFORMATION CONTAINED IN THIS DRAWING IS THE SOLE PROPERTY OF MASTERDRIVE, INC. ANY REPRODUCTION IN PART OR AS A WHOLE WITHOUT THE WRITTEN PERMISSION OF MASTERDRIVE, INC. IS PROHIBITED.

					NAME	DATE
				DRAWN	EDG	12/17/21
				CHECKED		
				ENG APPR.		
				MFG APPR.		
				Q.A.		
				COMMENTS:		
			INTERPRET GEOMETRIC TOLERANCING PER:			
			MATERIAL			
			HT200 (Cast Iron)			
			FINISH			
			Grey Paint			
	NEXT ASSY	USED ON				
	APPLICATION		DO NOT SCALE DRAWING			



TITLE:
P24-8M-30-PB

SIZE	DWG. NO.	REV
A	P24-8M-30-PB	
SCALE: 1:2	WEIGHT:	SHEET 1 OF 1

2

1