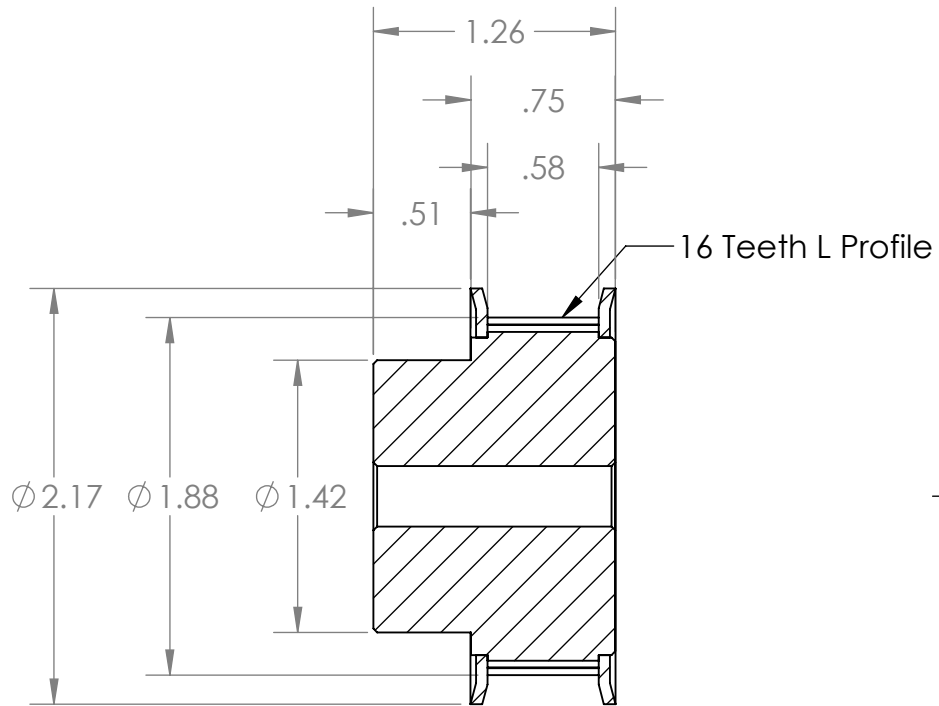
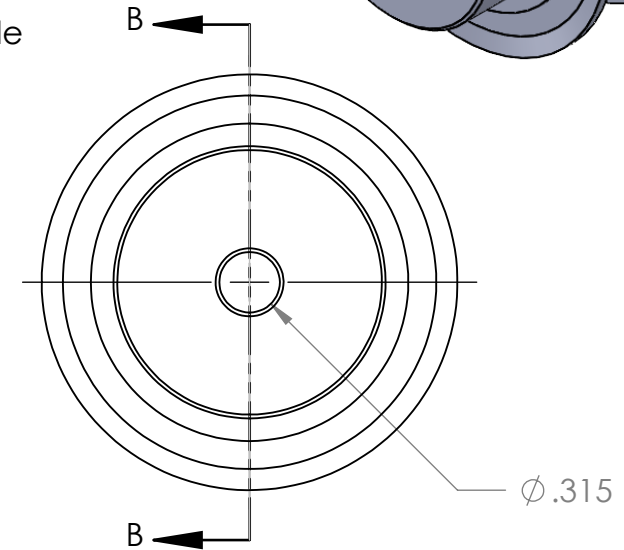
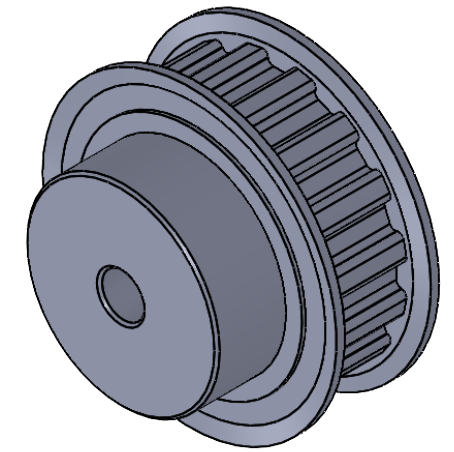


B



SECTION B-B



B

A

PROPRIETARY AND CONFIDENTIAL
 THE INFORMATION CONTAINED IN THIS DRAWING IS THE SOLE PROPERTY OF MASTERDRIVE, INC. ANY REPRODUCTION IN PART OR AS A WHOLE WITHOUT THE WRITTEN PERMISSION OF MASTERDRIVE, INC. IS PROHIBITED.

NEXT ASSY

USED ON

APPLICATION

INTERPRET GEOMETRIC TOLERANCING PER:

MATERIAL

#45 Steel

FINISH

Grey Paint

DO NOT SCALE DRAWING

DRAWN

NAME

EDG

DATE

10/06/21

CHECKED

ENG APPR.

MFG APPR.

Q.A.

COMMENTS:

MASTERDRIVE
 POWER TRANSMISSION PRODUCTS

TITLE:

P16L050-PB

SIZE

A

DWG. NO.

P16L050-PB

REV

SCALE: 1:1

WEIGHT:

SHEET 1 OF 1

2

1