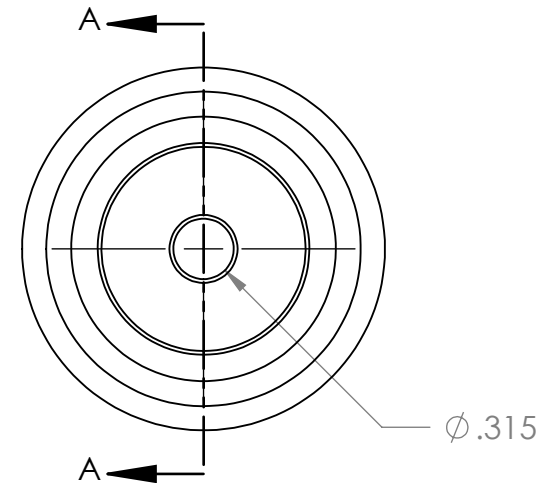
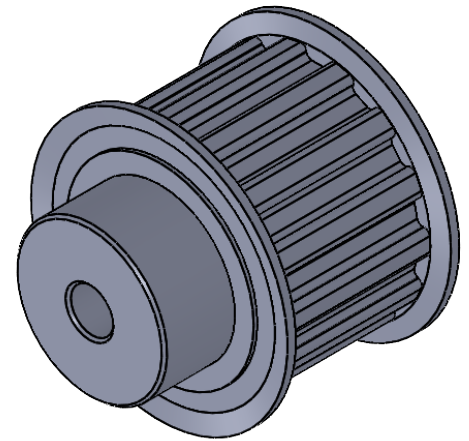
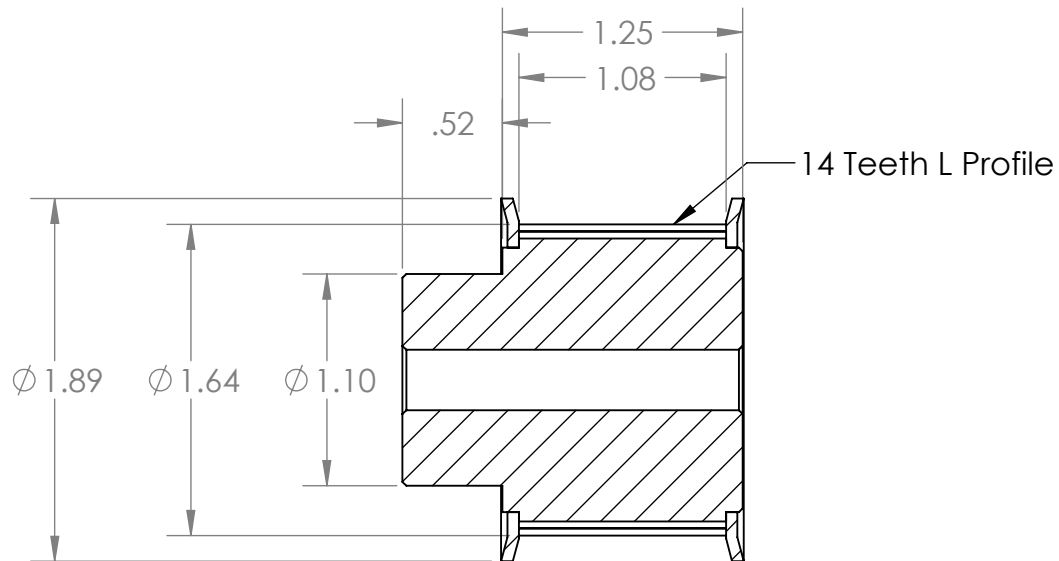


B



B

A

A

**PROPRIETARY AND CONFIDENTIAL**  
 THE INFORMATION CONTAINED IN THIS DRAWING IS THE SOLE PROPERTY OF MASTERDRIVE, INC. ANY REPRODUCTION IN PART OR AS A WHOLE WITHOUT THE WRITTEN PERMISSION OF MASTERDRIVE, INC. IS PROHIBITED.

					NAME	DATE
				DRAWN	EDG	10/22/21
				CHECKED		
				ENG APPR.		
				MFG APPR.		
				Q.A.		
				COMMENTS:		
			INTERPRET GEOMETRIC TOLERANCING PER:			
			MATERIAL	#45 Steel		
			FINISH	Grey Paint		
NEXT ASSY	USED ON					
APPLICATION			DO NOT SCALE DRAWING			

**MASTERDRIVE**  
 POWER TRANSMISSION PRODUCTS

TITLE:

P14L100-PB

SIZE

A

DWG. NO.

P14L100-PB

REV

SCALE: 1:1

WEIGHT:

SHEET 1 OF 1

2

1