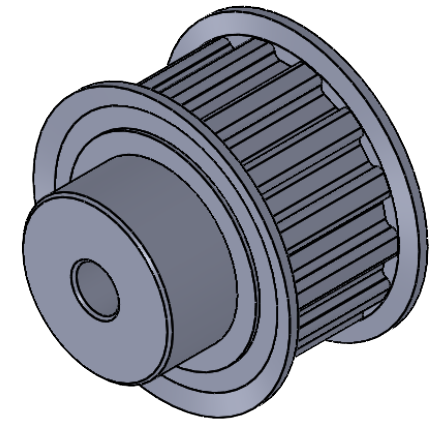
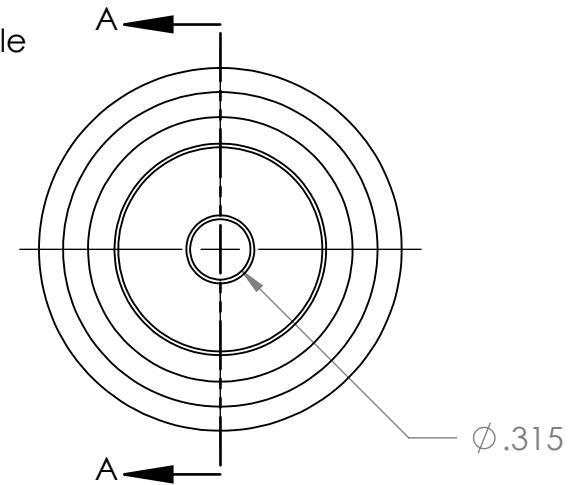
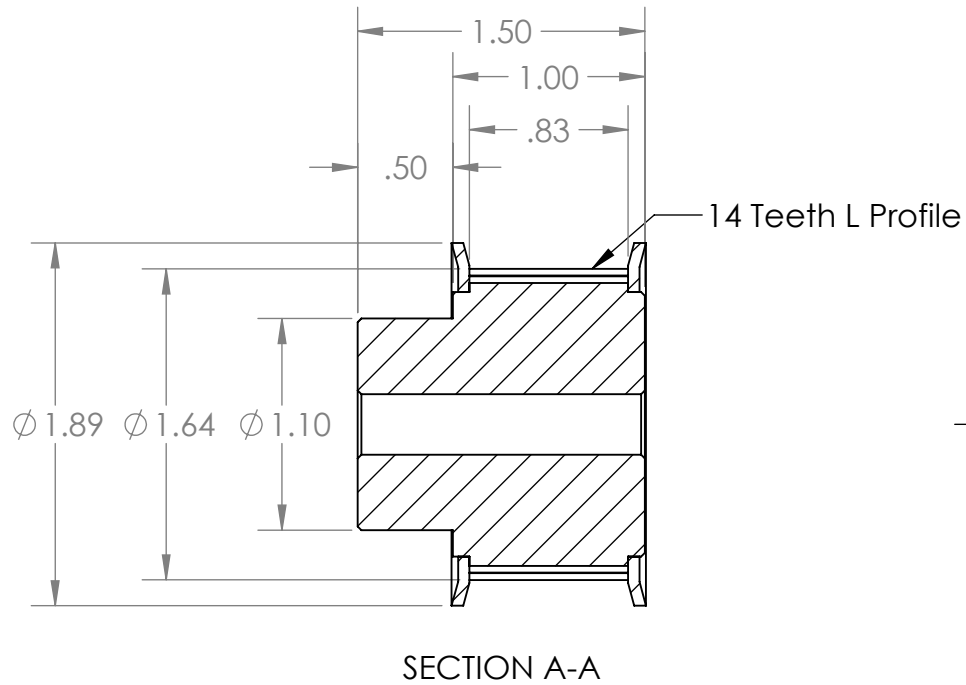


B



B

A

A

**PROPRIETARY AND CONFIDENTIAL**  
 THE INFORMATION CONTAINED IN THIS DRAWING IS THE SOLE PROPERTY OF MASTERDRIVE, INC. ANY REPRODUCTION IN PART OR AS A WHOLE WITHOUT THE WRITTEN PERMISSION OF MASTERDRIVE, INC. IS PROHIBITED.

				NAME	DATE
				EDG	10/15/21
				CHECKED	
				ENG APPR.	
				MFG APPR.	
				Q.A.	
				COMMENTS:	
			INTERPRET GEOMETRIC TOLERANCING PER:		
			MATERIAL	#45 Steel	
			FINISH	Grey Paint	
NEXT ASSY	USED ON				
APPLICATION			DO NOT SCALE DRAWING		

**MASTERDRIVE**  
 POWER TRANSMISSION PRODUCTS

TITLE:

P14L075-PB

SIZE

A

DWG. NO.

P14L075-PB

REV

SCALE: 1:1

WEIGHT:

SHEET 1 OF 1

2

1