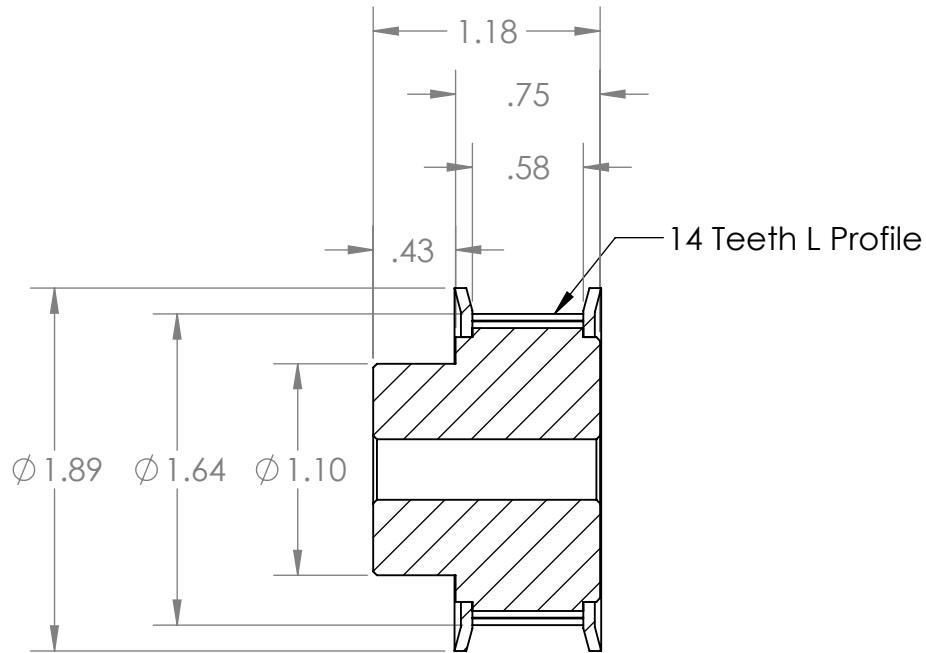
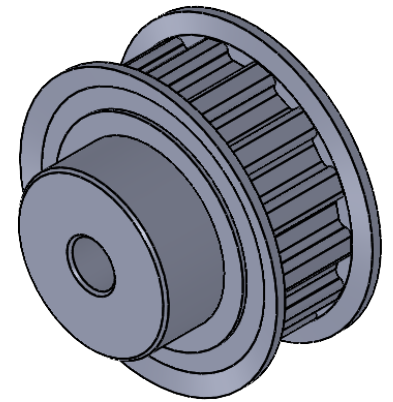


2

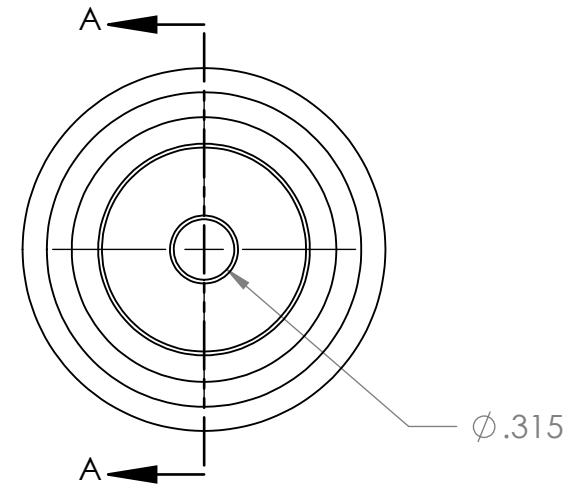
1

B

B



SECTION A-A



A

A

PROPRIETARY AND CONFIDENTIAL
 THE INFORMATION CONTAINED IN THIS DRAWING IS THE SOLE PROPERTY OF MASTERDRIVE, INC. ANY REPRODUCTION IN PART OR AS A WHOLE WITHOUT THE WRITTEN PERMISSION OF MASTERDRIVE, INC. IS PROHIBITED.

					NAME	DATE
				DRAWN	EDG	10/06/21
				CHECKED		
				ENG APPR.		
				MFG APPR.		
				Q.A.		
				COMMENTS:		
			INTERPRET GEOMETRIC TOLERANCING PER:			
			MATERIAL	#45 Steel		
			FINISH	Grey Paint		
NEXT ASSY	USED ON					
APPLICATION			DO NOT SCALE DRAWING			



TITLE:
P14L050-PB

SIZE	DWG. NO.	REV
A	P14L050-PB	
SCALE: 1:1	WEIGHT:	SHEET 1 OF 1

2

1