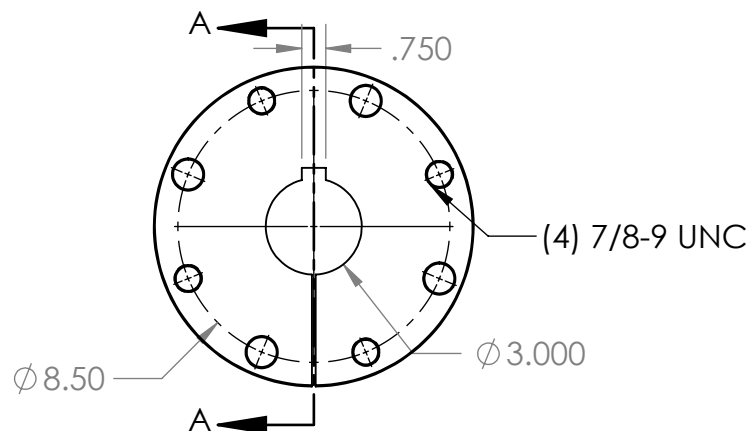
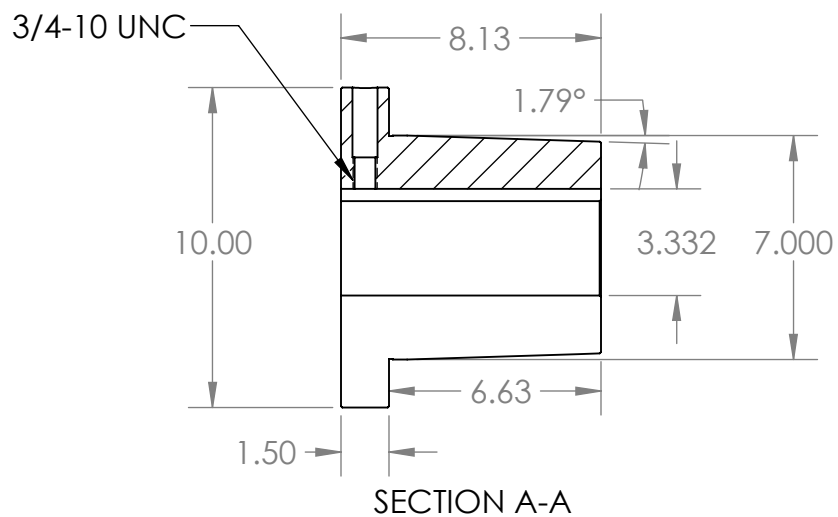
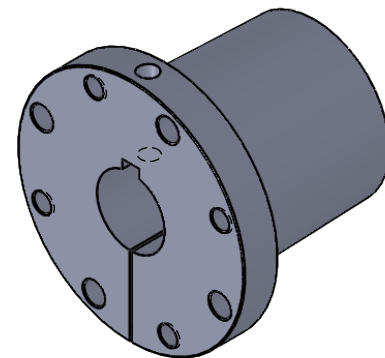


2

1

B

B



A

A

**PROPRIETARY AND CONFIDENTIAL**  
 THE INFORMATION CONTAINED IN THIS DRAWING IS THE SOLE PROPERTY OF MASTERDRIVE, INC. ANY REPRODUCTION IN PART OR AS A WHOLE WITHOUT THE WRITTEN PERMISSION OF MASTERDRIVE, INC. IS PROHIBITED.

			INTERPRET GEOMETRIC TOLERANCING PER:
			MATERIAL HT200 (Cast Iron)
NEXT ASSY	USED ON		FINISH Black Phosphate
APPLICATION			DO NOT SCALE DRAWING

	NAME	DATE
DRAWN	EDG	08/13/20
CHECKED		
ENG APPR.		
MFG APPR.		
Q.A.		
COMMENTS:		



TITLE: <b>N3</b>		
SIZE <b>A</b>	DWG. NO. <b>N3.000</b>	REV
SCALE: 1:6	WEIGHT:	SHEET 1 OF 1

2

1