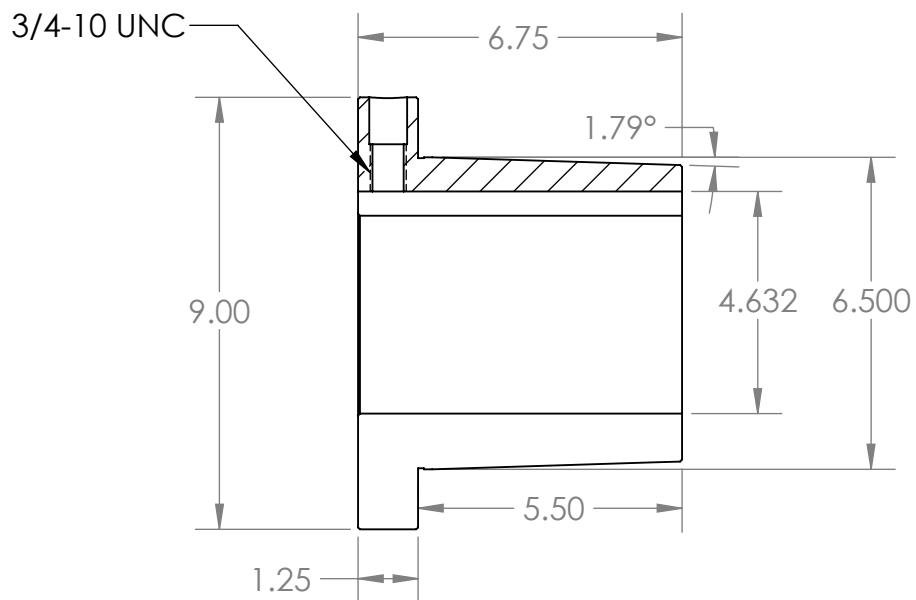
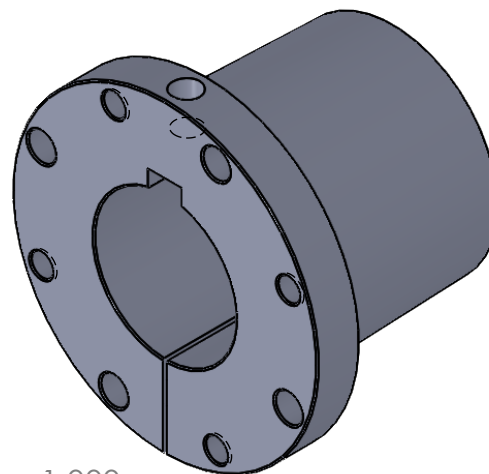


2

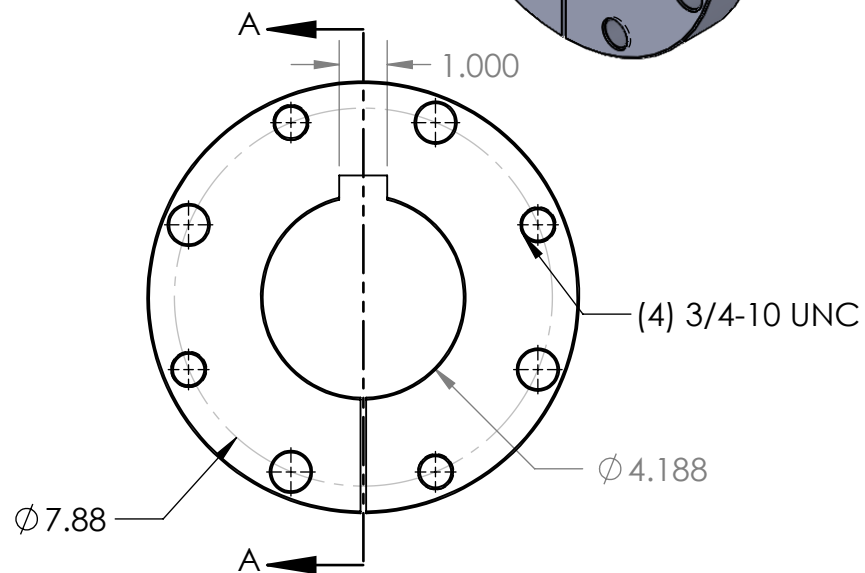
1

B

B



SECTION A-A



A

A

|             |         |                                      |           |          |
|-------------|---------|--------------------------------------|-----------|----------|
|             |         |                                      | NAME      | DATE     |
|             |         |                                      | EDG       | 08/13/20 |
|             |         |                                      | CHECKED   |          |
|             |         |                                      | ENG APPR. |          |
|             |         |                                      | MFG APPR. |          |
|             |         |                                      | Q.A.      |          |
|             |         |                                      | COMMENTS: |          |
|             |         | INTERPRET GEOMETRIC TOLERANCING PER: |           |          |
|             |         | MATERIAL                             |           |          |
|             |         | QT450-10 (Ductile Iron)              |           |          |
|             |         | FINISH                               |           |          |
|             |         | Black Phosphate                      |           |          |
| NEXT ASSY   | USED ON |                                      |           |          |
| APPLICATION |         | DO NOT SCALE DRAWING                 |           |          |



|                  |          |              |
|------------------|----------|--------------|
| TITLE:           |          |              |
| <h1>M4.3/16</h1> |          |              |
| SIZE             | DWG. NO. | REV          |
| <b>A</b>         | M4.188   |              |
| SCALE: 1:4       | WEIGHT:  | SHEET 1 OF 1 |

**PROPRIETARY AND CONFIDENTIAL**  
 THE INFORMATION CONTAINED IN THIS DRAWING IS THE SOLE PROPERTY OF MASTERDRIVE, INC. ANY REPRODUCTION IN PART OR AS A WHOLE WITHOUT THE WRITTEN PERMISSION OF MASTERDRIVE, INC. IS PROHIBITED.

2

1