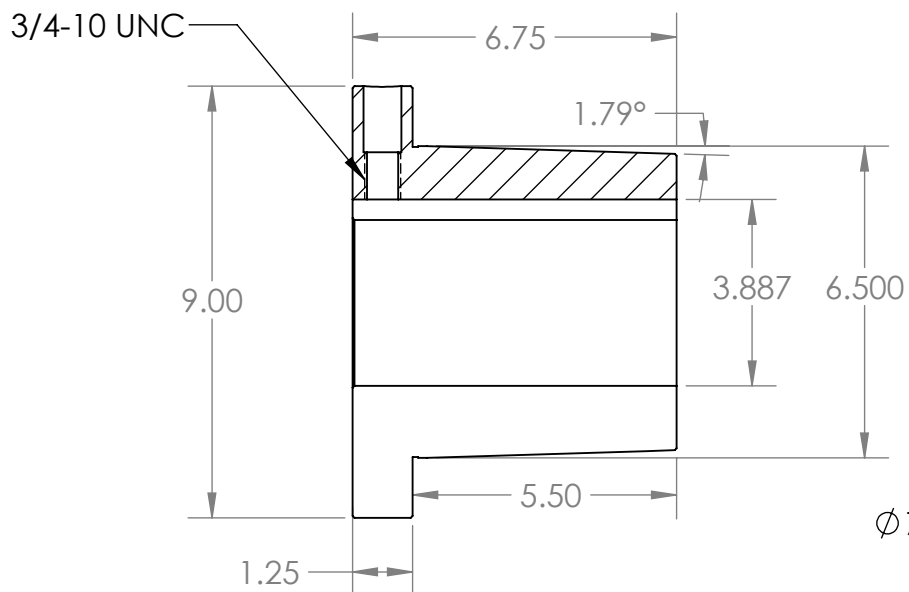
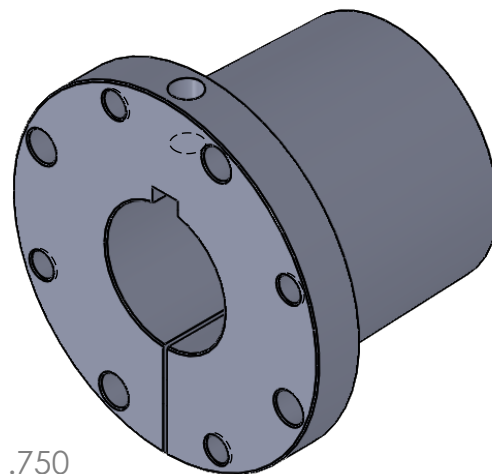


2

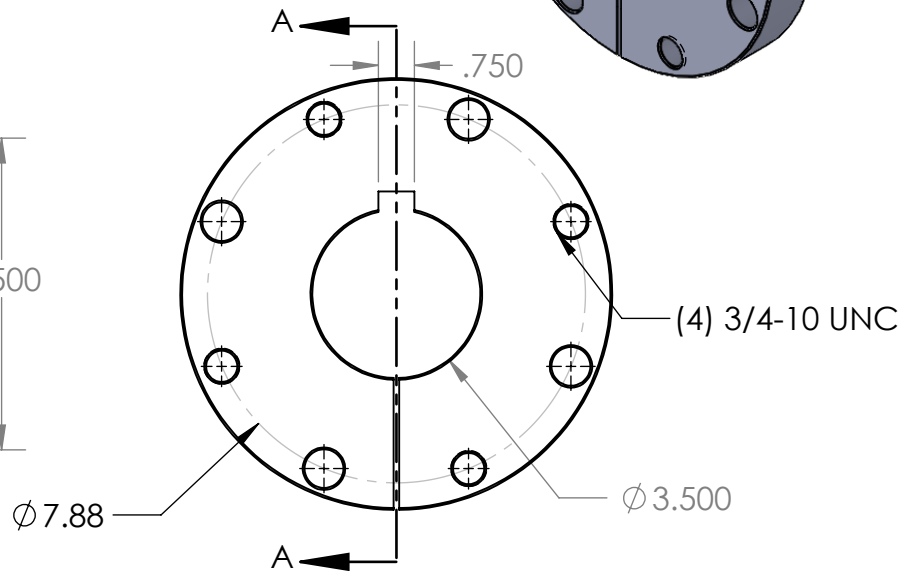
1

B

B



SECTION A-A



Ø 7.88

Ø 3.500

(4) 3/4-10 UNC

A

A

				NAME	DATE				
				DRAWN	EDG			08/06/20	
				CHECKED					
				ENG APPR.					
				MFG APPR.					
				Q.A.			TITLE:		
				COMMENTS:			M3.1/2		
							SIZE	DWG. NO.	REV
							<b>A</b>	M3.500	
							SCALE: 1:4	WEIGHT:	SHEET 1 OF 1

**PROPRIETARY AND CONFIDENTIAL**  
 THE INFORMATION CONTAINED IN THIS DRAWING IS THE SOLE PROPERTY OF MASTERDRIVE, INC. ANY REPRODUCTION IN PART OR AS A WHOLE WITHOUT THE WRITTEN PERMISSION OF MASTERDRIVE, INC. IS PROHIBITED.

NEXT ASSY

USED ON

APPLICATION

INTERPRET GEOMETRIC TOLERANCING PER:

MATERIAL QT450-10 (Ductile Iron)

FINISH Black Phosphate

DO NOT SCALE DRAWING

2

1