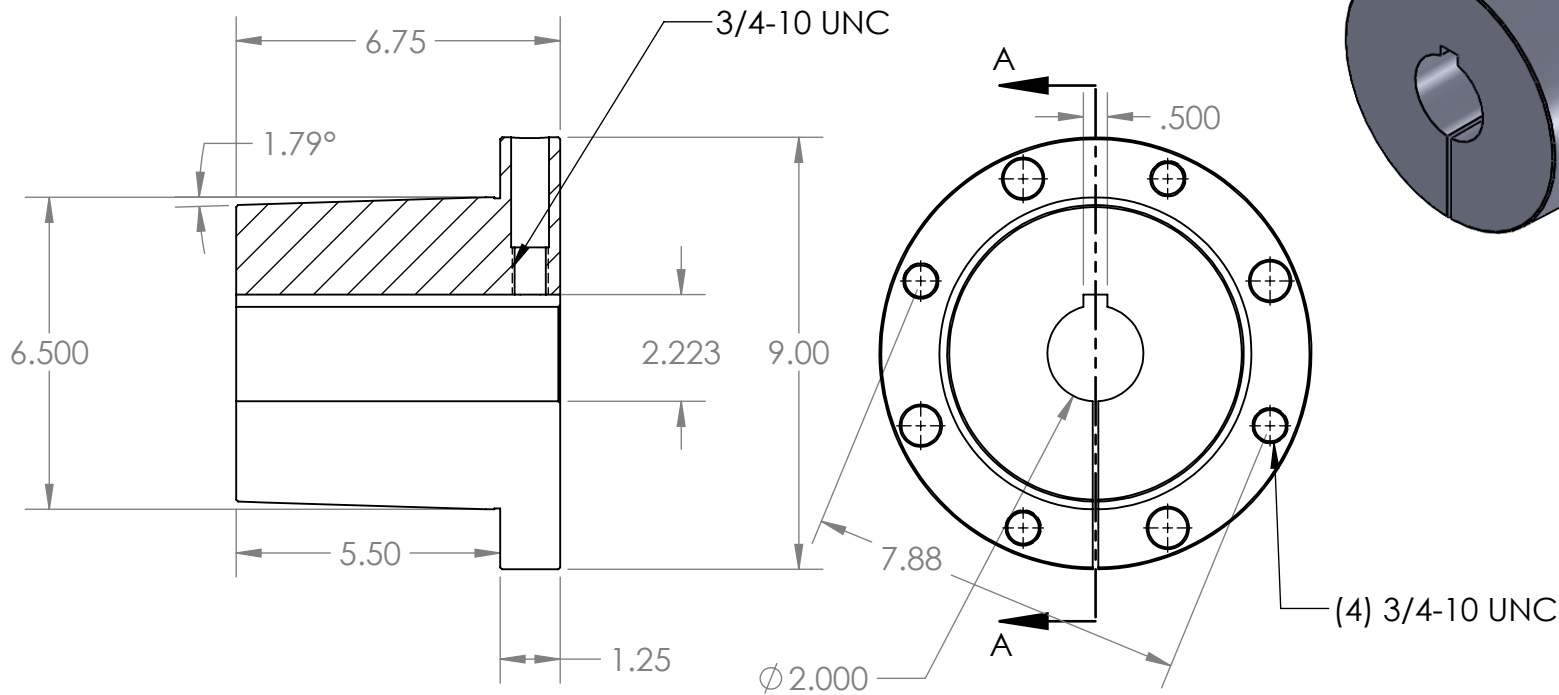


2

1

B

B



SECTION A-A

A

A

PROPRIETARY AND CONFIDENTIAL
 THE INFORMATION CONTAINED IN THIS DRAWING IS THE SOLE PROPERTY OF <INSERT COMPANY NAME HERE>. ANY REPRODUCTION IN PART OR AS A WHOLE WITHOUT THE WRITTEN PERMISSION OF <INSERT COMPANY NAME HERE> IS PROHIBITED.

				NAME	DATE
				EDG	07/31/17
				CHECKED	
				ENG APPR.	
				MFG APPR.	
				Q.A.	
				COMMENTS:	
			INTERPRET GEOMETRIC TOLERANCING PER:		
			MATERIAL		
			QT450-10 (Ductile Iron)		
			FINISH		
			Black Phosphate		
NEXT ASSY	USED ON				
	APPLICATION		DO NOT SCALE DRAWING		



TITLE:		
M2		
SIZE	DWG. NO.	REV
A	M2.000	
SCALE: 1:4	WEIGHT:	SHEET 1 OF 1

2

1