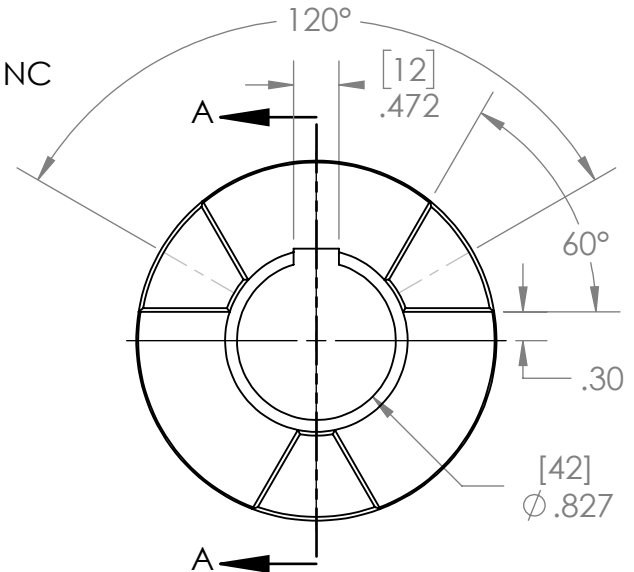
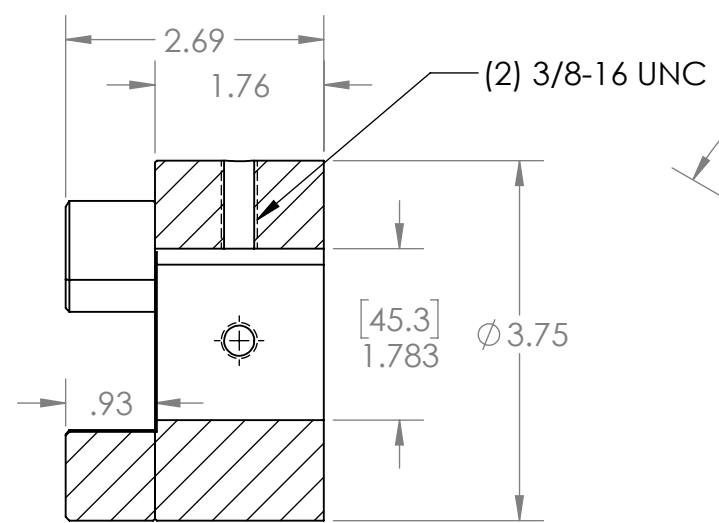
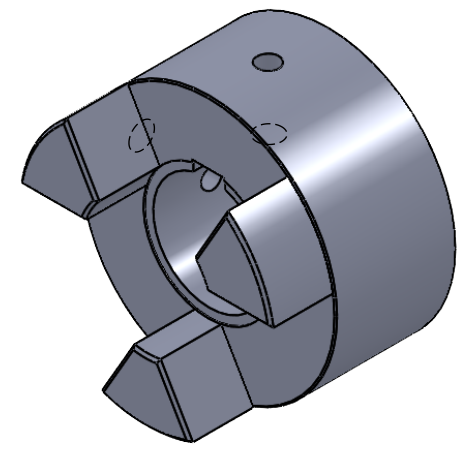


2

1

B

B



SECTION A-A

A

A

**PROPRIETARY AND CONFIDENTIAL**  
 THE INFORMATION CONTAINED IN THIS DRAWING IS THE SOLE PROPERTY OF MASTERDRIVE INC. ANY REPRODUCTION IN PART OR AS A WHOLE WITHOUT THE WRITTEN PERMISSION OF MASTERDRIVE INC IS PROHIBITED.

					NAME	DATE
				DRAWN	EDG	02/16/22
				CHECKED		
				ENG APPR.		
				MFG APPR.		
				Q.A.		
				COMMENTS:		
				INTERPRET GEOMETRIC TOLERANCING PER:		
				MATERIAL HT200 (Cast Iron)		
				FINISH Black Phosphate		
	NEXT ASSY	USED ON				
	APPLICATION			DO NOT SCALE DRAWING		



TITLE:  
**L150-42MM**

SIZE DWG. NO. REV  
**A L150-42MM**

SCALE: 1:2 WEIGHT: SHEET 1 OF 1

2

1