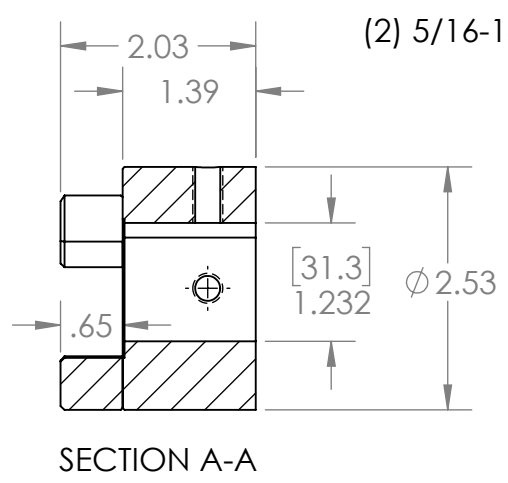
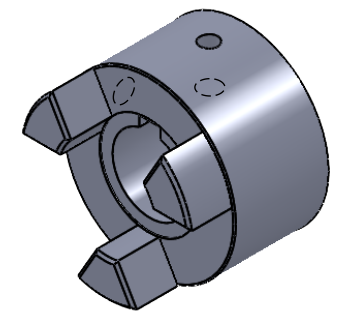


2

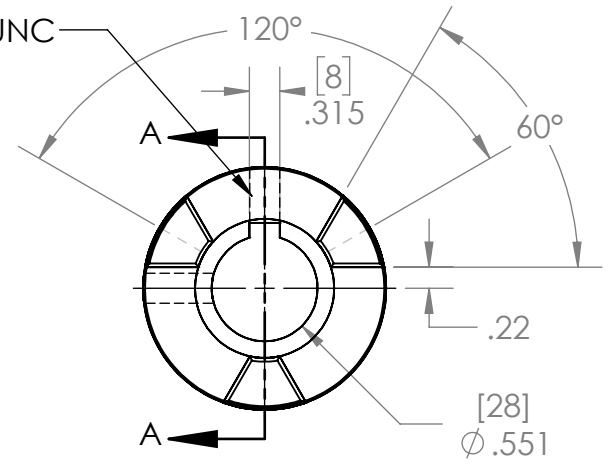
1

B

B



(2) 5/16-18 UNC



A

A

**PROPRIETARY AND CONFIDENTIAL**  
 THE INFORMATION CONTAINED IN THIS DRAWING IS THE SOLE PROPERTY OF MASTERDRIVE INC. ANY REPRODUCTION IN PART OR AS A WHOLE WITHOUT THE WRITTEN PERMISSION OF MASTERDRIVE INC IS PROHIBITED.

				NAME	DATE
			DRAWN	EDG	02/04/22
			CHECKED		
			ENG APPR.		
			MFG APPR.		
			Q.A.		
			COMMENTS:		
		INTERPRET GEOMETRIC TOLERANCING PER:			
		MATERIAL	HT200 (Cast Iron)		
		FINISH	Black Phosphate		
NEXT ASSY	USED ON	APPLICATION	DO NOT SCALE DRAWING		



TITLE:		
L100-28MM		
SIZE	DWG. NO.	REV
<b>A</b>	L100-28MM	
SCALE: 1:2	WEIGHT:	SHEET 1 OF 1

2

1