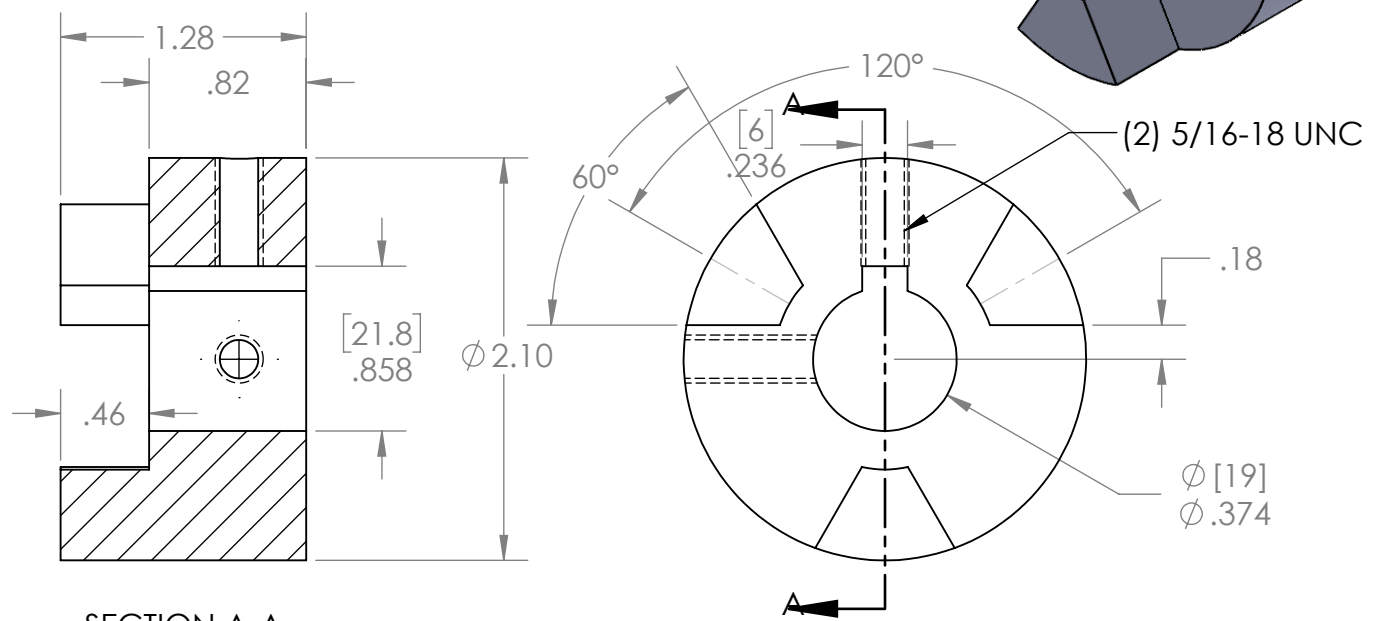
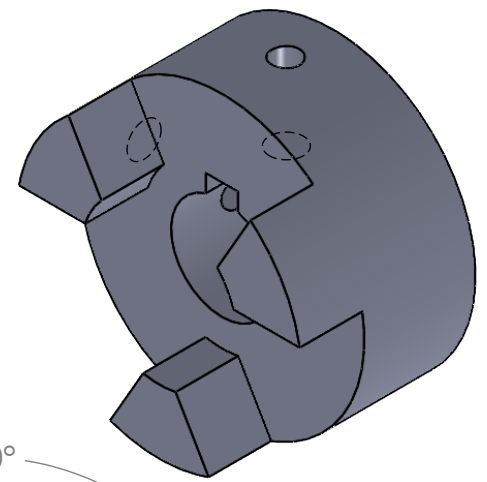


2

1

B

B



SECTION A-A

A

A

**PROPRIETARY AND CONFIDENTIAL**  
 THE INFORMATION CONTAINED IN THIS DRAWING IS THE SOLE PROPERTY OF MASTERDRIVE, INC. ANY REPRODUCTION IN PART OR AS A WHOLE WITHOUT THE WRITTEN PERMISSION OF MASTERDRIVE, INC. IS PROHIBITED.

|             |         |                                      |                |           |          |
|-------------|---------|--------------------------------------|----------------|-----------|----------|
|             |         |                                      |                | NAME      | DATE     |
|             |         |                                      |                | EDG       | 01/18/22 |
|             |         |                                      |                | CHECKED   |          |
|             |         |                                      |                | ENG APPR. |          |
|             |         |                                      |                | MFG APPR. |          |
|             |         |                                      |                | Q.A.      |          |
|             |         |                                      |                | COMMENTS: |          |
|             |         | INTERPRET GEOMETRIC TOLERANCING PER: |                |           |          |
|             |         | MATERIAL                             | Powdered Metal |           |          |
|             |         | FINISH                               | None           |           |          |
| NEXT ASSY   | USED ON |                                      |                |           |          |
| APPLICATION |         | DO NOT SCALE DRAWING                 |                |           |          |



TITLE:  
**L090-19MM**

SIZE DWG. NO. REV  
**A** L090-19MM

SCALE: 1:1 WEIGHT: SHEET 1 OF 1

2

1