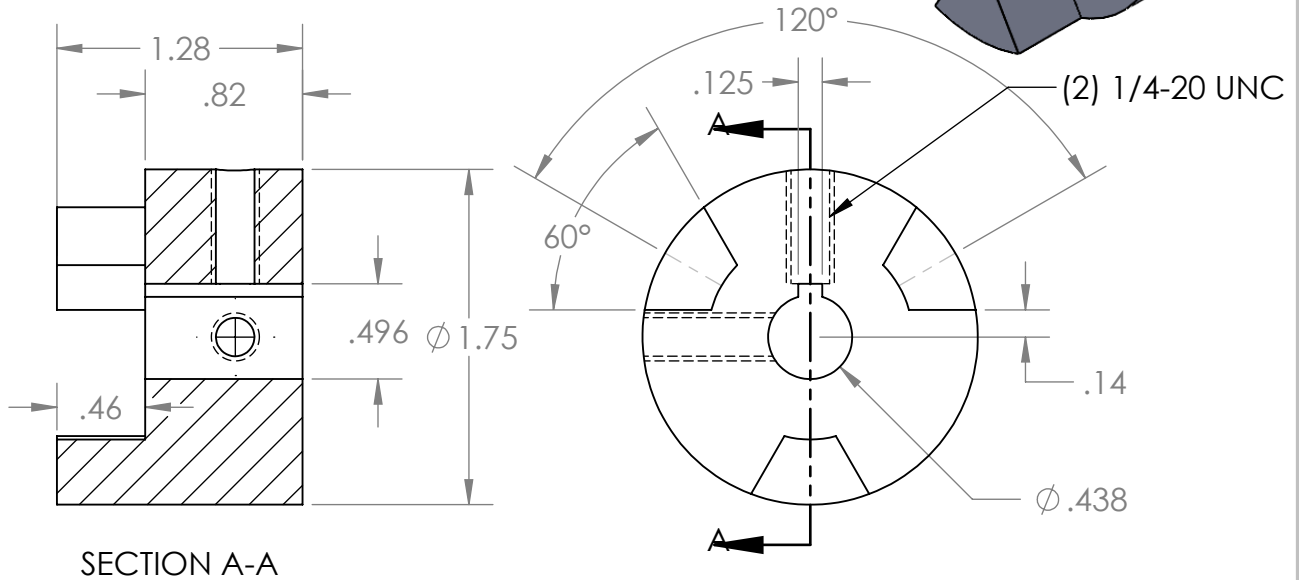
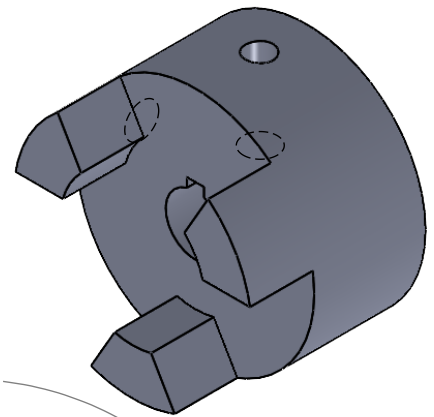


2

1

B

B



SECTION A-A

A

A

PROPRIETARY AND CONFIDENTIAL
 THE INFORMATION CONTAINED IN THIS DRAWING IS THE SOLE PROPERTY OF MASTERDRIVE, INC. ANY REPRODUCTION IN PART OR AS A WHOLE WITHOUT THE WRITTEN PERMISSION OF MASTERDRIVE, INC. IS PROHIBITED.

| | | | | | |
|-------------|---------|--------------------------------------|----------------|-----------|----------|
| | | | | NAME | DATE |
| | | | | EDG | 01/14/22 |
| | | | | CHECKED | |
| | | | | ENG APPR. | |
| | | | | MFG APPR. | |
| | | | | Q.A. | |
| | | | | COMMENTS: | |
| | | INTERPRET GEOMETRIC TOLERANCING PER: | | | |
| | | MATERIAL | Powdered Metal | | |
| | | FINISH | None | | |
| NEXT ASSY | USED ON | | | | |
| APPLICATION | | DO NOT SCALE DRAWING | | | |



TITLE:
L075-7/16 KW

SIZE DWG. NO. REV
A L075-0.438 KW

SCALE: 1:1 WEIGHT: SHEET 1 OF 1

2

1