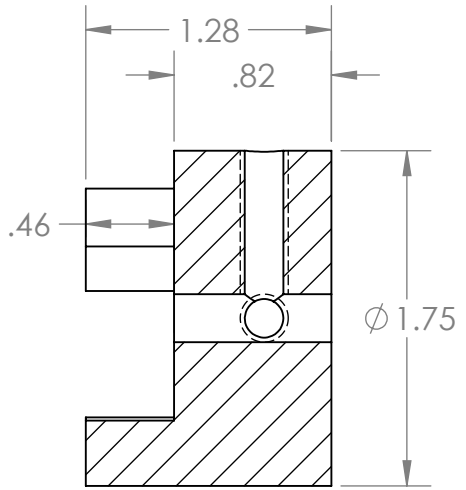
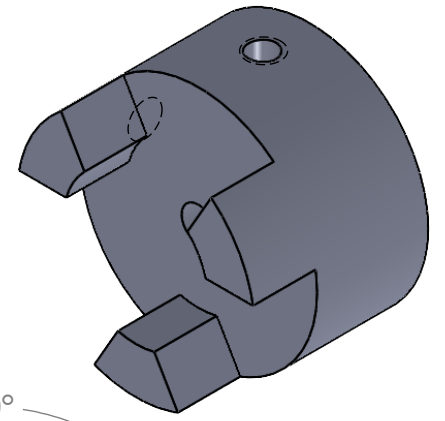


2

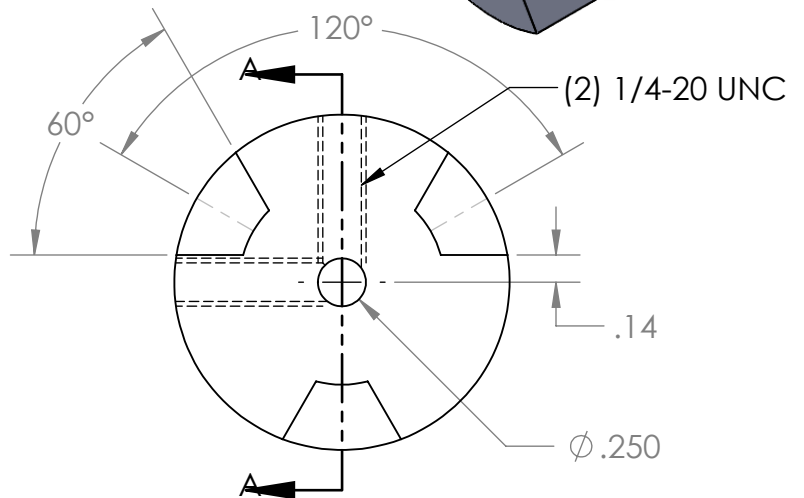
1

B

B



SECTION A-A



A

A

**PROPRIETARY AND CONFIDENTIAL**  
 THE INFORMATION CONTAINED IN THIS DRAWING IS THE SOLE PROPERTY OF MASTERDRIVE, INC. ANY REPRODUCTION IN PART OR AS A WHOLE WITHOUT THE WRITTEN PERMISSION OF MASTERDRIVE, INC. IS PROHIBITED.

				NAME	DATE
				EDG	01/14/22
				CHECKED	
				ENG APPR.	
				MFG APPR.	
				Q.A.	
				COMMENTS:	
				INTERPRET GEOMETRIC TOLERANCING PER:	
				MATERIAL Powdered Metal	
				FINISH None	
				NEXT ASSY	
				USED ON	
				APPLICATION	
				DO NOT SCALE DRAWING	



TITLE:		
<h1>L075-1/4</h1>		
SIZE	DWG. NO.	REV
<b>A</b>	L075-0.250	
SCALE: 1:1	WEIGHT:	SHEET 1 OF 1

2

1