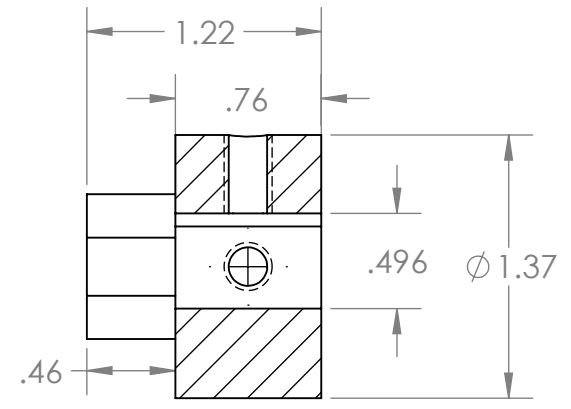
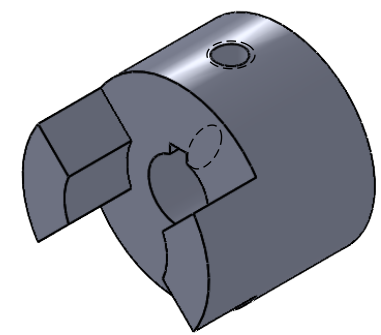


2

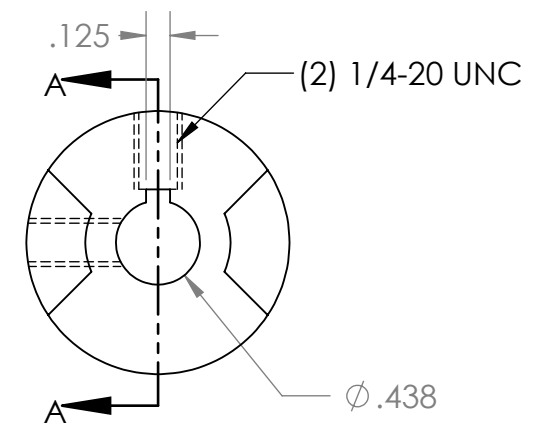
1

B

B



SECTION A-A



A

A

PROPRIETARY AND CONFIDENTIAL
 THE INFORMATION CONTAINED IN THIS DRAWING IS THE SOLE PROPERTY OF MASTERDRIVE, INC. ANY REPRODUCTION IN PART OR AS A WHOLE WITHOUT THE WRITTEN PERMISSION OF MASTERDRIVE, INC. IS PROHIBITED.

| | | | | | |
|-------------|---------|--------------------------------------|----------------|-----------|----------|
| | | | | NAME | DATE |
| | | | | EDG | 01/13/22 |
| | | | | CHECKED | |
| | | | | ENG APPR. | |
| | | | | MFG APPR. | |
| | | | | Q.A. | |
| | | | | COMMENTS: | |
| | | INTERPRET GEOMETRIC TOLERANCING PER: | | | |
| | | MATERIAL | Powdered Metal | | |
| | | FINISH | None | | |
| NEXT ASSY | USED ON | | | | |
| APPLICATION | | DO NOT SCALE DRAWING | | | |



TITLE:
L070-7/16 KW

| | | |
|------------|---------------|--------------|
| SIZE | DWG. NO. | REV |
| A | L070-0.438 KW | |
| SCALE: 1:1 | WEIGHT: | SHEET 1 OF 1 |

2

1