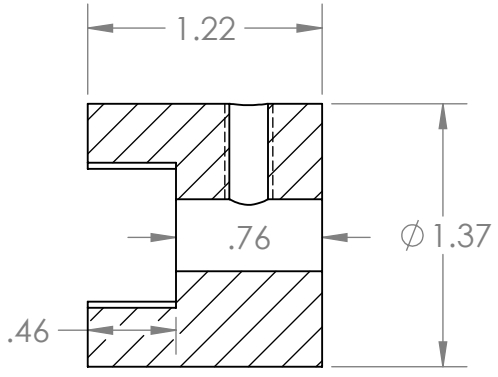
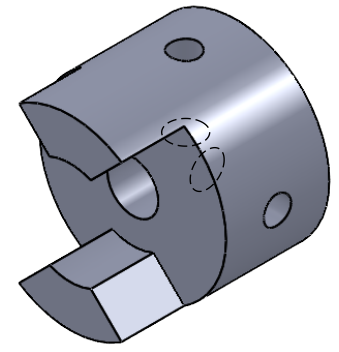


2

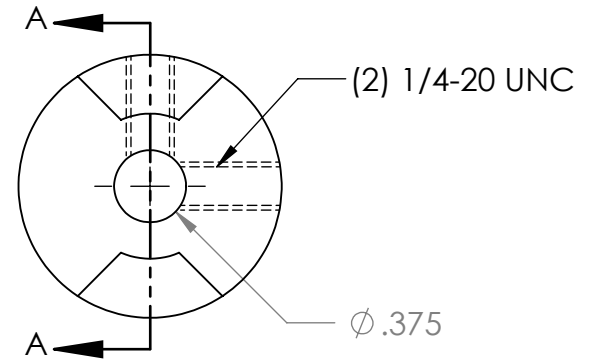
1

B

B



SECTION A-A



A

A

**PROPRIETARY AND CONFIDENTIAL**  
 THE INFORMATION CONTAINED IN THIS DRAWING IS THE SOLE PROPERTY OF MASTERDRIVE, INC. ANY REPRODUCTION IN PART OR AS A WHOLE WITHOUT THE WRITTEN PERMISSION OF MASTERDRIVE, INC. IS PROHIBITED.

					NAME	DATE
				DRAWN	EDG	01/13/22
				CHECKED		
				ENG APPR.		
				MFG APPR.		
				Q.A.		
				COMMENTS:		
			INTERPRET GEOMETRIC TOLERANCING PER:			
			MATERIAL			
			Powdered Metal			
			FINISH			
			None			
NEXT ASSY	USED ON					
APPLICATION			DO NOT SCALE DRAWING			



TITLE:		
<b>L070-3/8</b>		
SIZE	DWG. NO.	REV
<b>A</b>	<b>L070-0.375</b>	
SCALE: 1:1	WEIGHT:	SHEET 1 OF 1

2

1