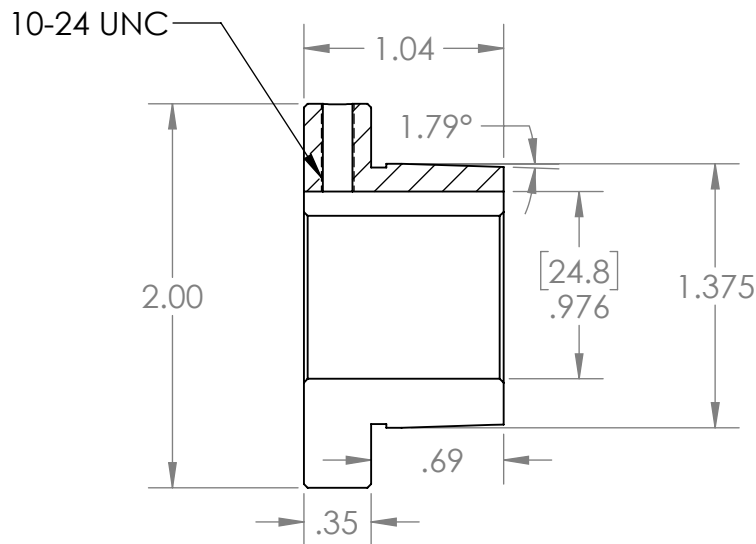
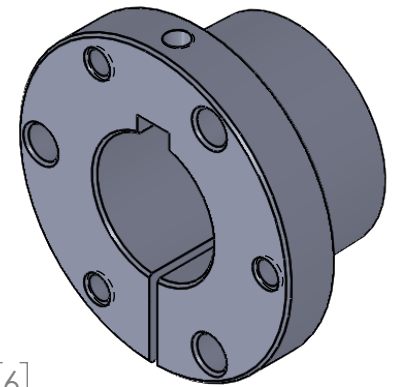


2

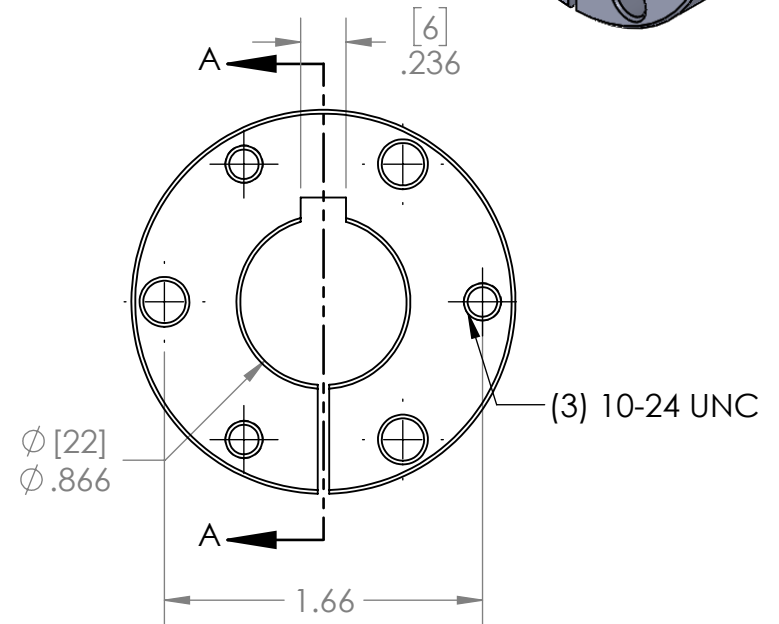
1

B

B



SECTION A-A



A

A

			NAME	DATE
			DRAWN	EDG 08/17/20
			CHECKED	
			ENG APPR.	
			MFG APPR.	
			Q.A.	
			COMMENTS:	
		INTERPRET GEOMETRIC TOLERANCING PER:		
		MATERIAL	QT450-10 (Ductile Iron)	
		FINISH	Black Phosphate	
	NEXT ASSY	USED ON		
	APPLICATION		DO NOT SCALE DRAWING	



TITLE:		
<h1>JA22MM</h1>		
SIZE	DWG. NO.	REV
A	JA22MM	
SCALE: 1:1	WEIGHT:	SHEET 1 OF 1

PROPRIETARY AND CONFIDENTIAL
 THE INFORMATION CONTAINED IN THIS DRAWING IS THE SOLE PROPERTY OF MASTERDRIVE, INC. ANY REPRODUCTION IN PART OR AS A WHOLE WITHOUT THE WRITTEN PERMISSION OF MASTERDRIVE, INC. IS PROHIBITED.

2

1