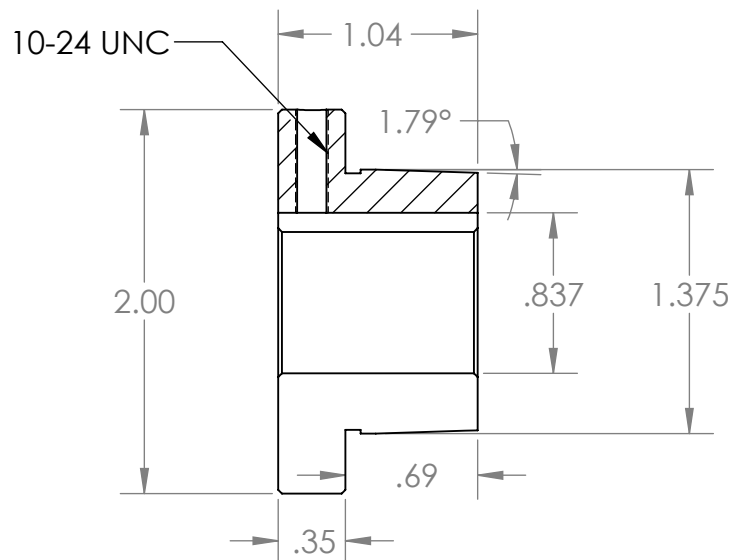
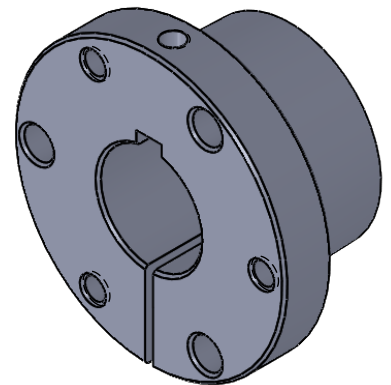


2

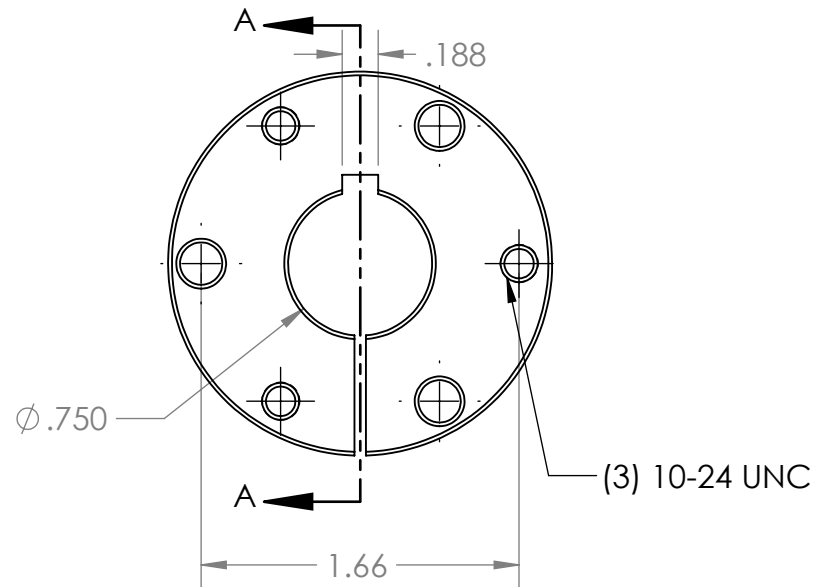
1

B

B



SECTION A-A



A

A

| | | | | |
|-----------|---------|--------------------------------------|-------------------------|----------|
| | | | NAME | DATE |
| | | | EDG | 07/16/20 |
| | | | CHECKED | |
| | | | ENG APPR. | |
| | | | MFG APPR. | |
| | | | Q.A. | |
| | | | COMMENTS: | |
| | | INTERPRET GEOMETRIC TOLERANCING PER: | | |
| | | MATERIAL | QT450-10 (Ductile Iron) | |
| | | FINISH | Black Phosphate | |
| NEXT ASSY | USED ON | APPLICATION | DO NOT SCALE DRAWING | |



| | | |
|----------------|----------|--------------|
| TITLE: | | |
| <h1>JA3/4</h1> | | |
| SIZE | DWG. NO. | REV |
| A | JA0.750 | |
| SCALE: 1:1 | WEIGHT: | SHEET 1 OF 1 |

PROPRIETARY AND CONFIDENTIAL
 THE INFORMATION CONTAINED IN THIS DRAWING IS THE SOLE PROPERTY OF <INSERT COMPANY NAME HERE>. ANY REPRODUCTION IN PART OR AS A WHOLE WITHOUT THE WRITTEN PERMISSION OF <INSERT COMPANY NAME HERE> IS PROHIBITED.

2

1