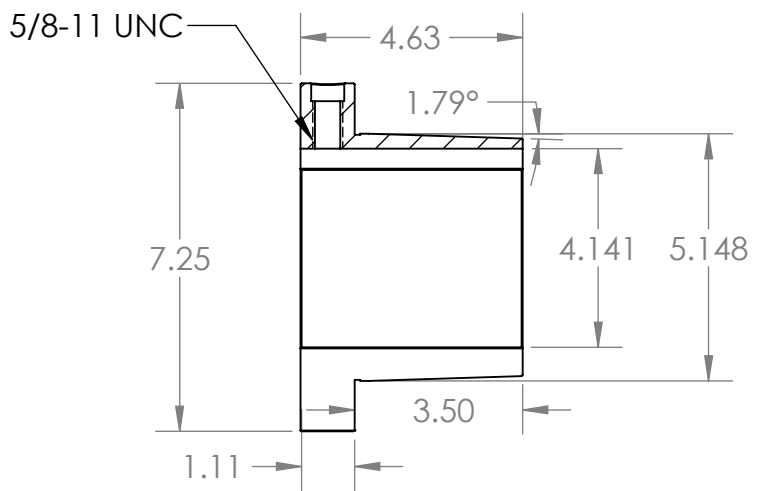
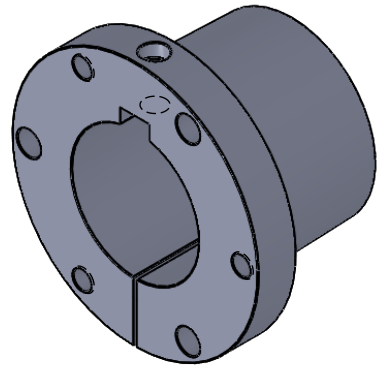


2

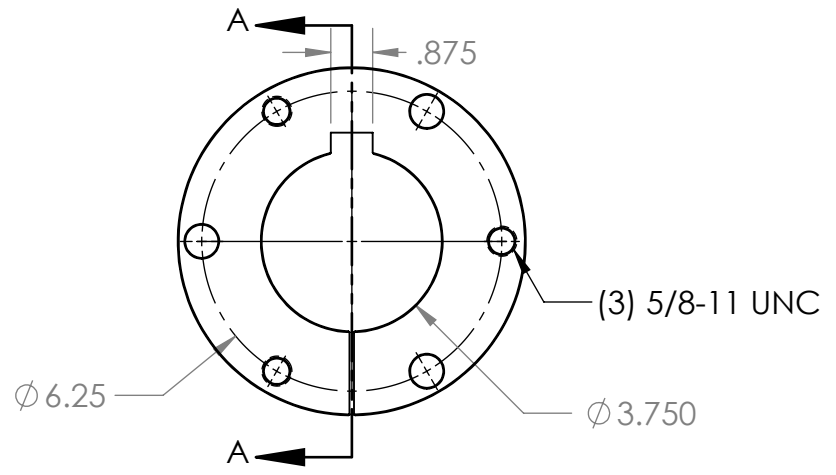
1

B

B



SECTION A-A



A

A

**PROPRIETARY AND CONFIDENTIAL**  
 THE INFORMATION CONTAINED IN THIS DRAWING IS THE SOLE PROPERTY OF MASTERDRIVE, INC. ANY REPRODUCTION IN PART OR AS A WHOLE WITHOUT THE WRITTEN PERMISSION OF MASTERDRIVE, INC. IS PROHIBITED.

|  |             |         |  |                                      |                      |
|--|-------------|---------|--|--------------------------------------|----------------------|
|  |             |         |  | NAME                                 | DATE                 |
|  |             |         |  | EDG                                  | 07/29/20             |
|  |             |         |  | CHECKED                              |                      |
|  |             |         |  | ENG APPR.                            |                      |
|  |             |         |  | MFG APPR.                            |                      |
|  |             |         |  | Q.A.                                 |                      |
|  |             |         |  | COMMENTS:                            |                      |
|  |             |         |  | INTERPRET GEOMETRIC TOLERANCING PER: |                      |
|  |             |         |  | MATERIAL<br>QT450-10 (Ductile Iron)  |                      |
|  |             |         |  | FINISH<br>Black Phosphate            |                      |
|  | NEXT ASSY   | USED ON |  |                                      |                      |
|  | APPLICATION |         |  |                                      |                      |
|  |             |         |  |                                      | DO NOT SCALE DRAWING |



TITLE:  
**J3.3/4**

SIZE **A** DWG. NO. **J3.750** REV

SCALE: 1:4 WEIGHT: SHEET 1 OF 1

2

1