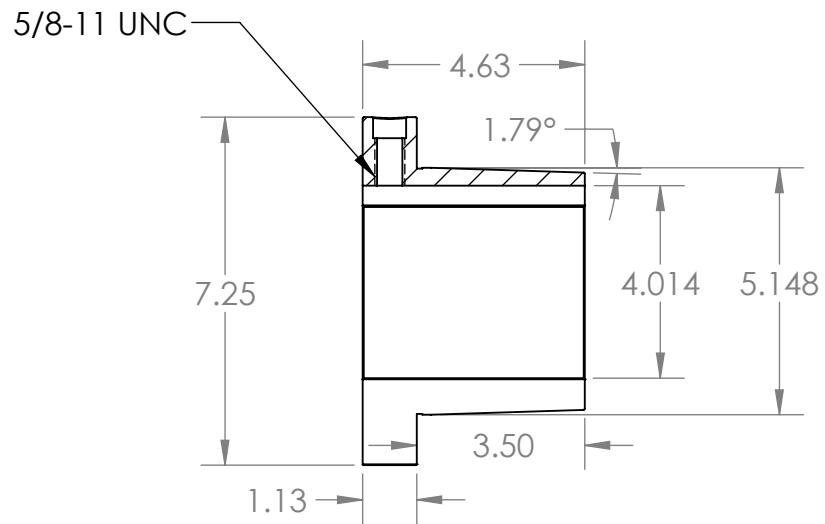
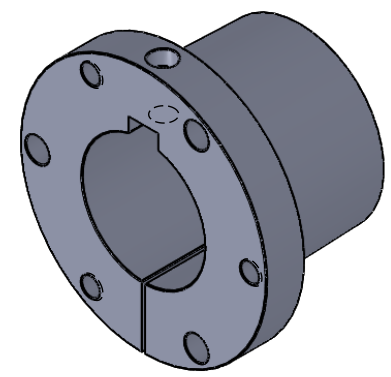


2

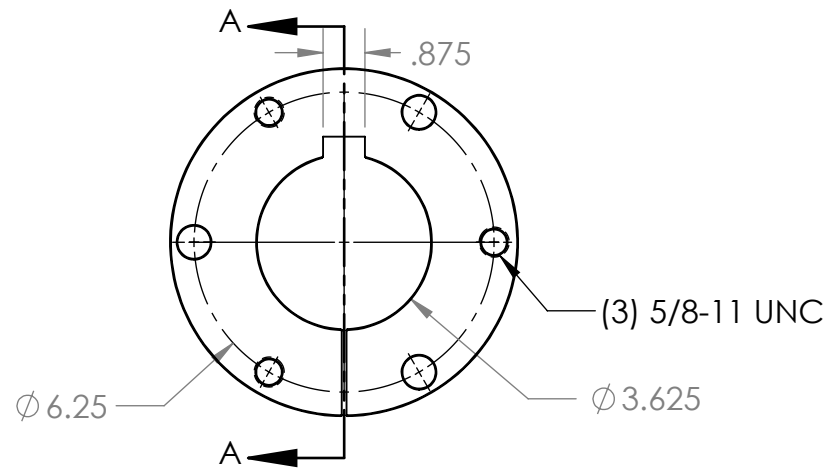
1

B

B



SECTION A-A



A

A

<p>PROPRIETARY AND CONFIDENTIAL THE INFORMATION CONTAINED IN THIS DRAWING IS THE SOLE PROPERTY OF MASTERDRIVE, INC. ANY REPRODUCTION IN PART OR AS A WHOLE WITHOUT THE WRITTEN PERMISSION OF MASTERDRIVE, INC. IS PROHIBITED.</p>					NAME	DATE			
					DRAWN	EDG 07/29/20			
					CHECKED			TITLE:	
					ENG APPR.			J3.5/8	
					MFG APPR.			SIZE	DWG. NO.
					Q.A.		A	J3.625	
					COMMENTS:		SCALE: 1:4	WEIGHT:	SHEET 1 OF 1
	NEXT ASSY	USED ON	INTERPRET GEOMETRIC TOLERANCING PER:						
			MATERIAL						
			QT450-10 (Ductile Iron)						
			FINISH						
			Black Phosphate						
	APPLICATION		DO NOT SCALE DRAWING						

2

1